

Ordering Information

Accessories/hardware:		
Drain	K-11666	recommended
Vinyl tiling-in bead*	K-1179	optional
*Use K-1179 vinyl bead when wall material contacts any top surface of bath.		

Required Electrical Service

Dedicated circuit required, protected with Class A Ground-Fault Circuit-Interrupter (GFCI):	
Pump/control	120 V., 15 A, 60 Hz

Product Information

Fixture*:	basin area	top area	weight
Bathing well	1118 x 406mm	1321 x 584mm	24 Kg.
	water depth	capacity	
To overflow	305mm	144 litres	

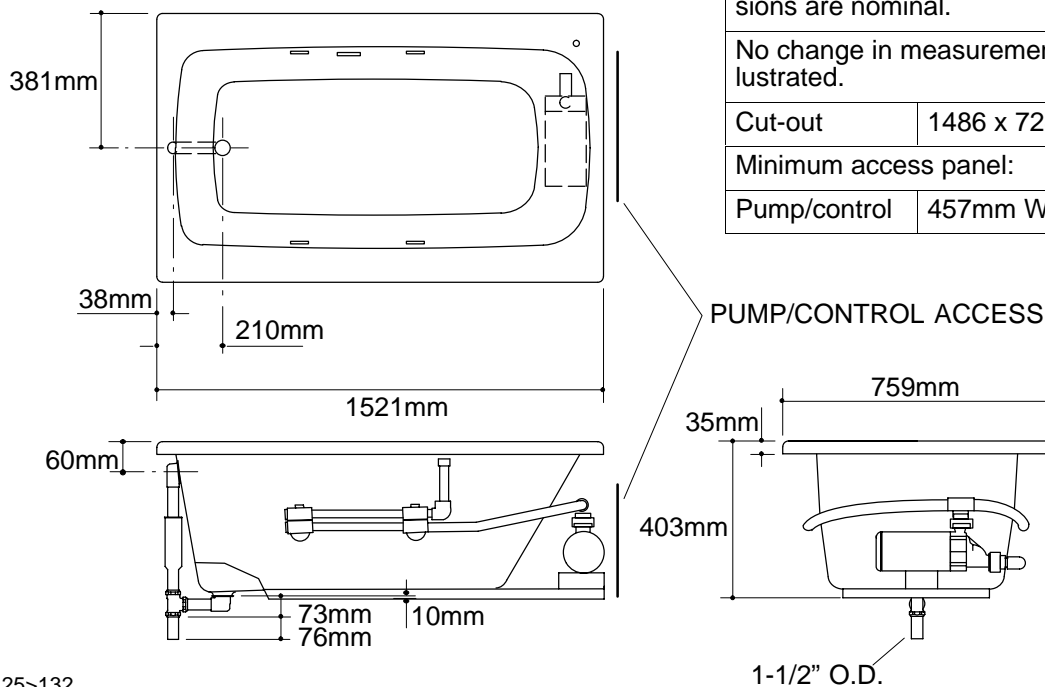
* Approximate measurements for comparison only.

Pump:	HP	V	Hz	A
1-speed	3/4	120	60	9.5

Installation Notes

Refer to installation instructions included with fixture before beginning installation.

Pump is supplied with a grounding type plug-in cord. Locate the outlet behind the whirlpool, and within 610mm of the pump.



Roughing-In Notes

Fixture conforms to ANSI Standard Z124.1. All dimensions are nominal.

No change in measurements if connected with drain illustrated.

Cut-out 1486 x 724mm

Minimum access panel:

Pump/control 457mm W x 356mm H required

1.25>132

K-1101 System Basic 6030 Bath Whirlpool
114847-1M-AA (A)

KOHLER®