

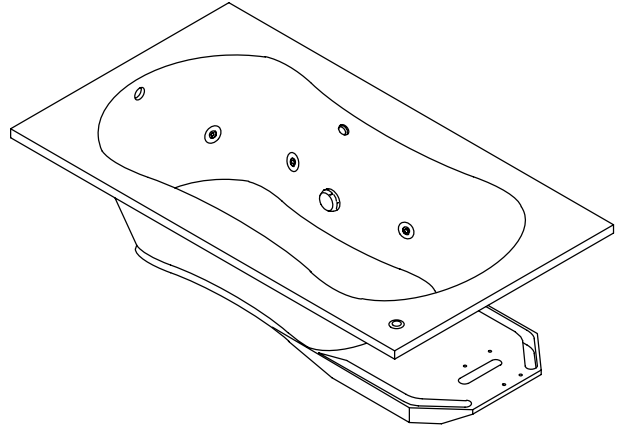
FEATURES

- 60" x 32" x 17-3/4"
- Acrylic
- 6 individually adjustable multi-directional hydro-massage jets
- 3/4 HP pump with air switch and cord with plug
- Molded lumbar supports and armrests
- UL listed

CODES/STANDARDS APPLICABLE

Specified model meets or exceeds the following:

- ASME/ANSI A112.19.7M
- ANSI Z124.1
- IAPMO/UPC
- Underwriters Laboratories (UL)
- State of Massachusetts



COLORS/FINISHES

- 0 White
- Other Refer to Fixtures Price Book for additional colors

SPECIFIED MODEL:

Model	Description	Colors/Finishes	
K-1106	60" x 32" bath whirlpool	<input type="checkbox"/> 0 White	<input type="checkbox"/> Other_____
Recommended Accessories			
K-11677	Drain		<input type="checkbox"/> CP
Optional Accessories			
K-1179	Vinyl tiling-in bead (use when wall material contacts any top surface of bath)		<input type="checkbox"/> NA

PRODUCT SPECIFICATION:

The bath whirlpool shall be 60" in length, 32" in width, and 17-3/4" in height. Bath whirlpool shall be made of acrylic. Bath whirlpool shall have 6 individually adjustable multi-directional hydro-massage jets, 3/4 HP pump with air switch and cord with plug. Bath whirlpool shall have molded lumbar supports and armrests. Bath whirlpool shall be UL listed. Bath whirlpool shall be Kohler Model K-1106-_____.

SYSTEM BASIC 6032

REQUIRED ELECTRICAL SERVICE

Dedicated circuit required, protected with Class A Ground-Fault Circuit-Interrupter (GFCI):

Pump/control	120 V., 15 A, 60 Hz
--------------	---------------------

PRODUCT INFORMATION

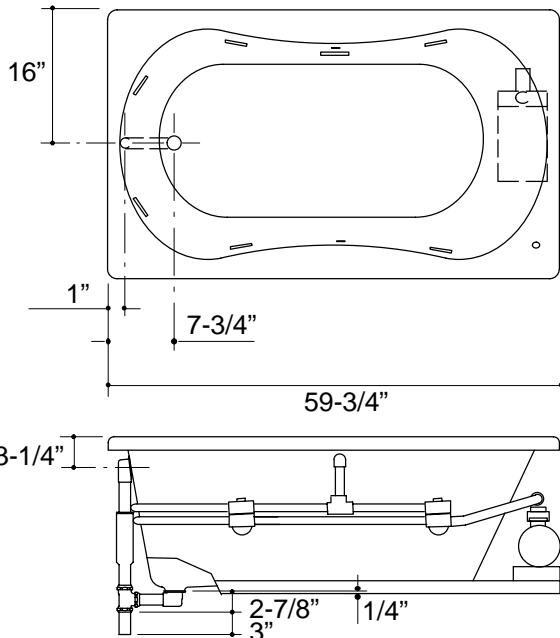
Fixture*:	basin area	top area	weight
Bathing well	46" x 20"	55" x 22"	49 lbs.
	water depth	capacity	
To overflow	12-1/2"	49 gal.	

* Approximate measurements for comparison only.

Pump:	HP	V	Hz	A
1-speed	3/4	120	60	9.5

INSTALLATION NOTES

Pump is supplied with a grounding type plug-in cord. Locate the outlet behind the whirlpool, and within 24" of the pump.



1.25>132

Roughing-In Notes

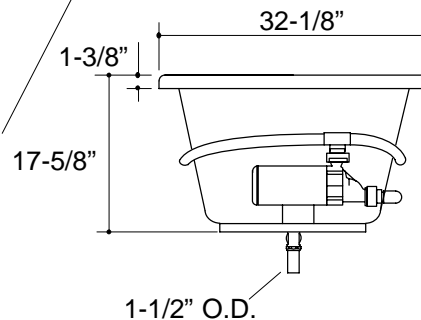
No change in measurements if connected with drain illustrated.

Cut-out	58-1/4" x 30-1/2"
---------	-------------------

Minimum access panel:

Pump/control	18" W x 14" H	required
--------------	---------------	----------

PUMP/CONTROL ACCESS



PRODUCT DIAGRAM