

### Ordering Information

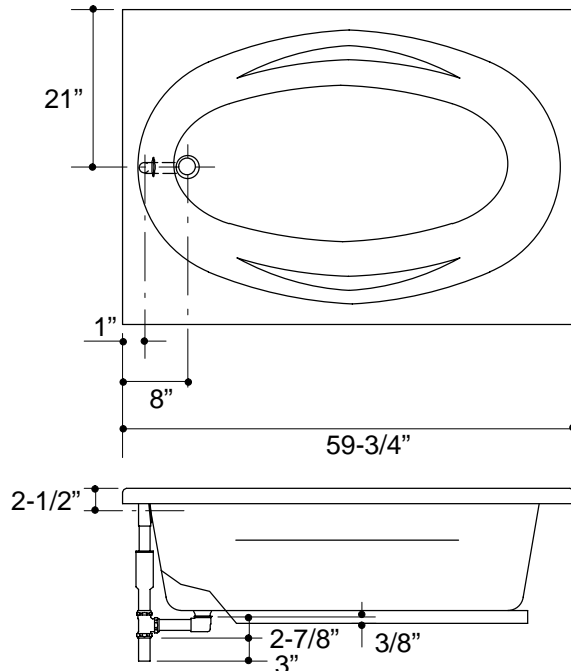
Accessories/hardware:		
Drain	K-11677	recommended
Vinyl tiling-in bead*	K-1179	optional
*Use K-1179 vinyl bead when wall material contacts any top surface of bath.		

### Product Information

Fixture*:	basin area	top area	weight
Bathing well	46" x 21"	55" x 31"	52-3/4 lbs.
	water depth	capacity	
To overflow	14"	57 gal.	
* Approximate measurements for comparison only.			

### Installation Notes

Refer to installation instructions included with fixture before beginning installation.

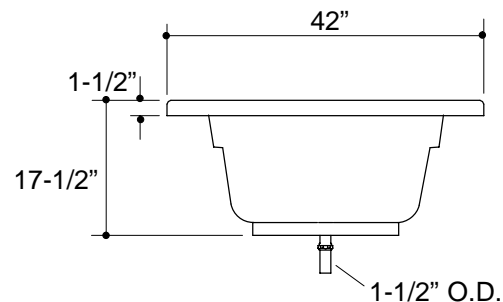


### Roughing-In Notes

Fixture conforms to ANSI Standard Z124.1. All dimensions are nominal.

No change in measurements if connected with drain illustrated.

Cut-out	58-1/4" x 40-1/2"
---------	-------------------



1.25>132

**K-1127** System Basic 6042 Bath  
114854-1-CA (A)

**KOHLER®**