

Ordering Information

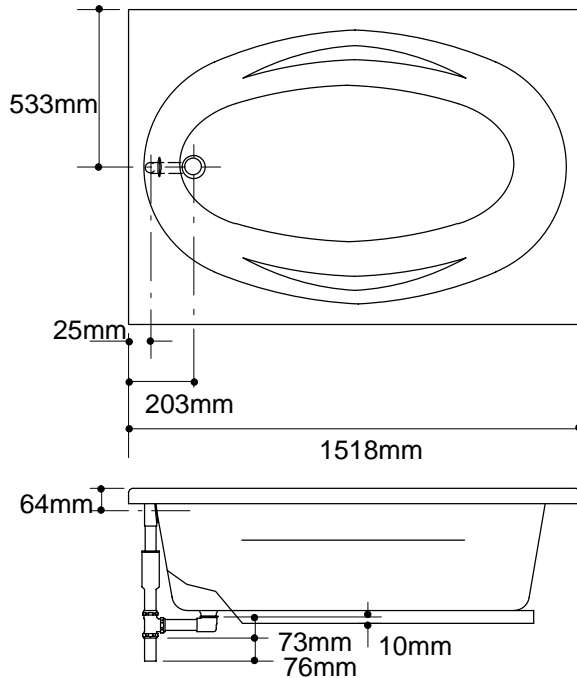
Accessories/hardware:		
Drain	K-11677	recommended
Vinyl tiling-in bead*	K-1179	optional
*Use K-1179 vinyl bead when wall material contacts any top surface of bath.		

Product Information

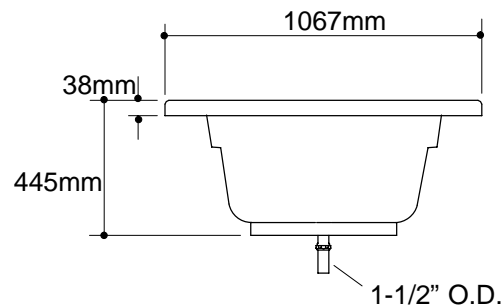
Fixture*:	basin area	top area	weight
Bathing well	1168 x 533mm	1397 x 787mm	24 Kg.
	water depth	capacity	
To overflow	356mm	216 litres	
* Approximate measurements for comparison only.			

Installation Notes

Refer to installation instructions included with fixture before beginning installation.



Roughing-In Notes	
Fixture conforms to ANSI Standard Z124.1. All dimensions are nominal.	
No change in measurements if connected with drain illustrated.	
Cut-out	1480 x 1029mm



1.25>132

K-1127 System Basic 6042 Bath
114854-1M-AA (A)