

Ordering Information

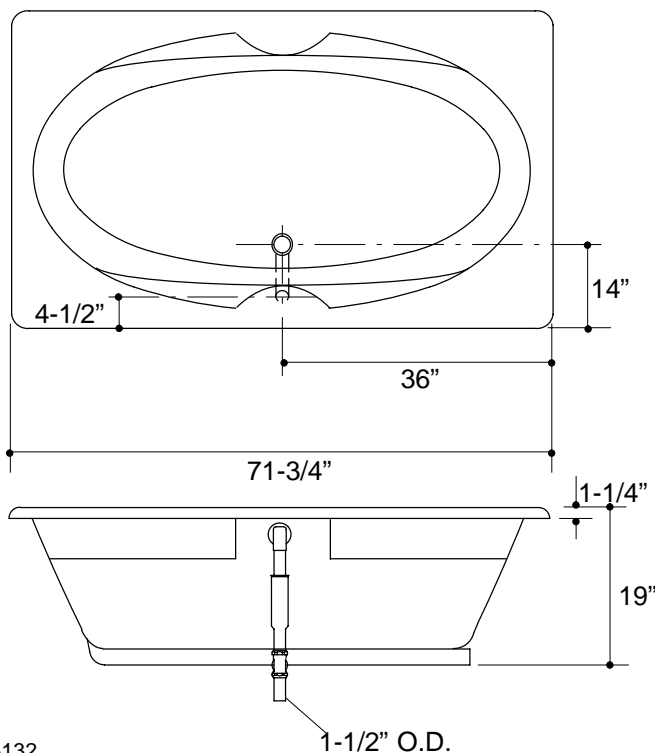
Accessories/hardware:		
Drain	K-11677	recommended
Vinyl tiling-in bead*	K-1179	optional
*Use K-1179 vinyl bead when wall material contacts any top surface of bath.		

Product Information

Fixture*:	basin area	top area	weight
Bathing well	53" x 26"	65" x 34"	51 lbs.
	water depth	capacity	
To overflow	15"	78 gal.	
* Approximate measurements for comparison only.			

Installation Notes

Refer to installation instructions included with fixture before beginning installation.

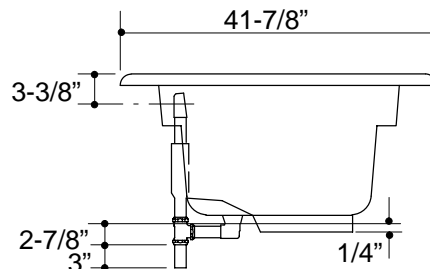


Roughing-In Notes

Fixture conforms to ANSI Standard Z124.1. All dimensions are nominal.

No change in measurements if connected with drain illustrated.

Cut-out	70-1/2" x 40-1/2"
---------	-------------------



1.25>132

K-1132 System Basic 7242 Bath
114858-1-CA (A)

KOHLER®