

**PRESSURE-BALANCING VALVE  
K-305**

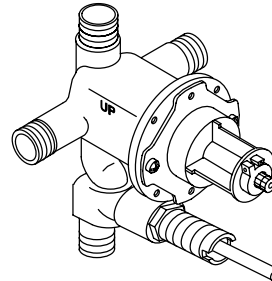
**FEATURES**

- Brass valve body
- Rite-Temp pressure-balancing diaphragm design valve
- High-temperature limit stop
- Pressure-balancing mechanism of one-piece diaphragm cartridge design for ease of maintenance
- Mixing valve cycles from “cold” to “hot”
- Available with or without screwdriver stops
- Integral diverter mechanism

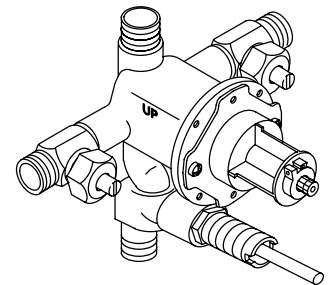
**CODES/STANDARDS APPLICABLE**

Specified model meets or exceeds the following:

- ASME/ANSI A112.18.1M
- ASSE/ANSI 1016
- CSA B125
- IAPMO/UPC



K-305-K



K-305-KS

**COLORS/FINISHES**

- NA Not applicable

**SPECIFIED MODEL:**

Model	Description	
K-305-K	Less Screwdriver Stops	<input type="checkbox"/> NA
K-305-KS	With Screwdriver Stops	<input type="checkbox"/> NA

**PRODUCT SPECIFICATION:**

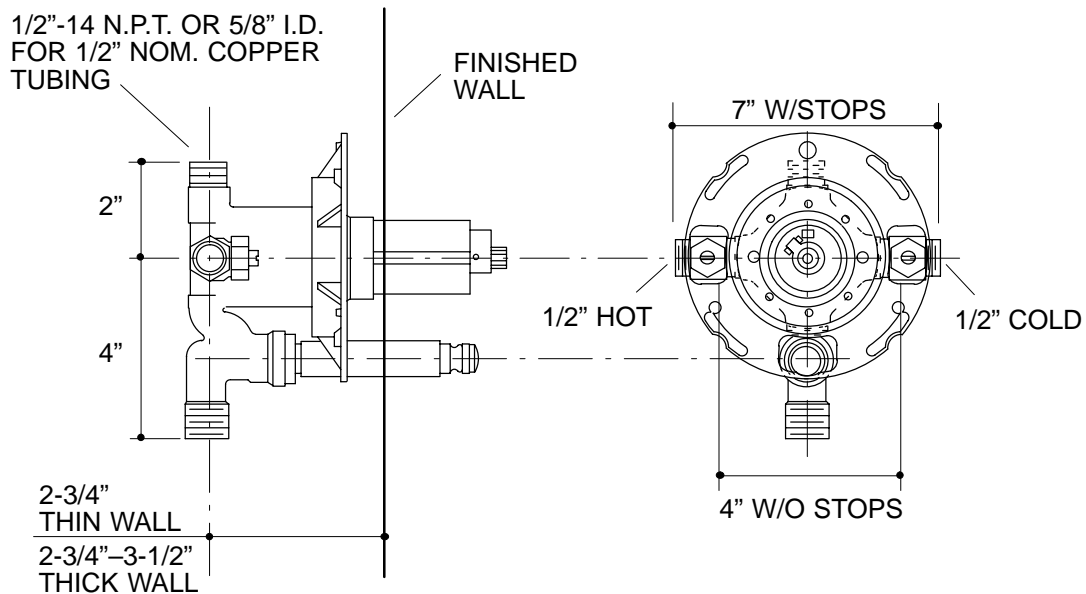
Rite-Temp pressure-balancing single-control valve shall feature a brass valve body. The valve shall mix the water from the “off” position, through the “cold” to the “hot”, and includes a high-temperature limit stop. The pressure-balancing mechanism shall be of one-piece diaphragm cartridge design for ease of maintenance. Product shall feature integral diverter mechanism. Optional feature shall be with or without screwdriver stops. Rite-Temp valve shall be Kohler Model K-305-\_\_\_\_\_-NA.

## INSTALLATION NOTES

Avoid cross-flow conditions. Do not install shut-off device on either valve outlet.

Cap shower outlet if deck-mount spout, diverter, or handshower is connected to spout outlet.

Install straight pipe or tube drop of 7 to 18" with single elbow between valve and wall-mount spout.



## PRODUCT DIAGRAM