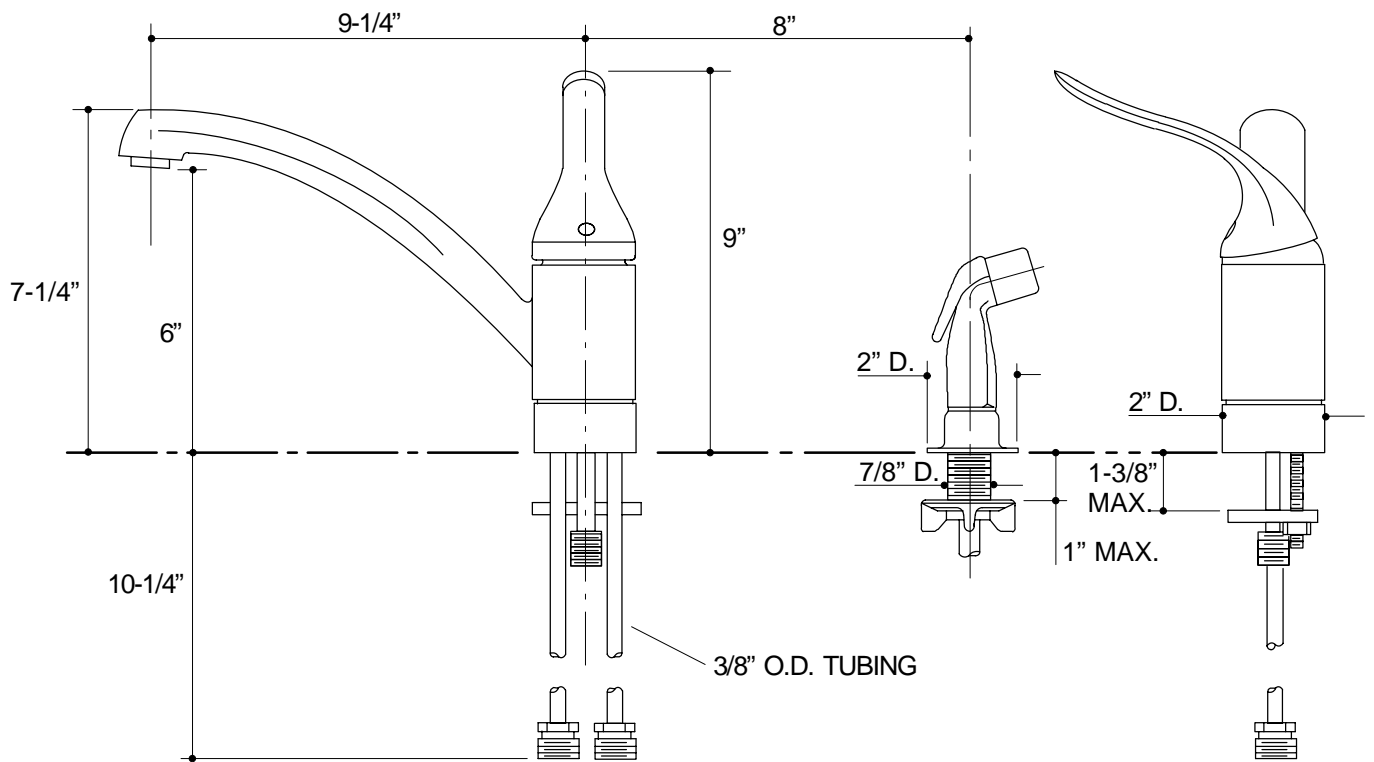


Ordering Information

Applicable sink faucet with spray:	
Faucet with ground joints	K-15076-P
ADA Lever handle is ADA compliant	



K-15076-P Coralais™ Kitchen Sink Faucet
114935-1-AA (9619)

NOTES: