

**KITCHEN SINK FAUCET
K-15076-P**

ADA

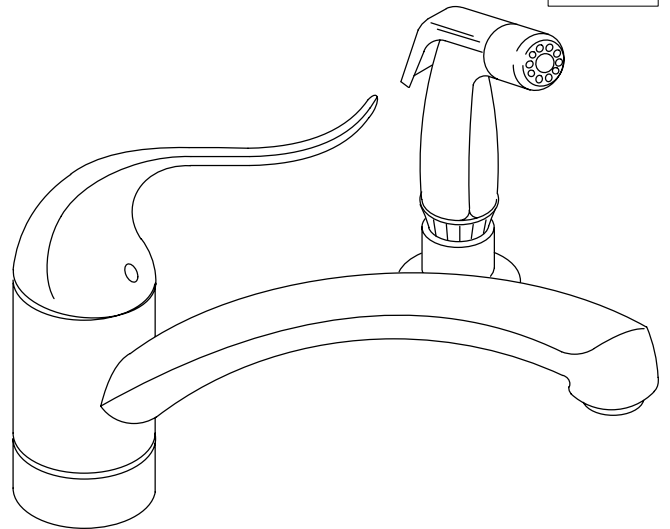
FEATURES

- Metal construction
- One-piece self-contained ceramic disc valve allows both volume and temperature control
- Temperature memory allowing faucet to be turned on and off at any temperature setting
- High-temperature limit stop
- 9-1/4" swing spout
- 2.2 gallons per minute
- Lever handle
- Ground joint connections
- Handspray

CODES/STANDARDS APPLICABLE

Specified model meets or exceeds the following:

- ASME/ANSI A112.18.1M
- CSA B125
- IAPMO/UPC
- NSF 61



COLORS/FINISHES

- CP Polished Chrome
- PB Polished Brass
- Other Refer to Faucets Price Book for additional finishes

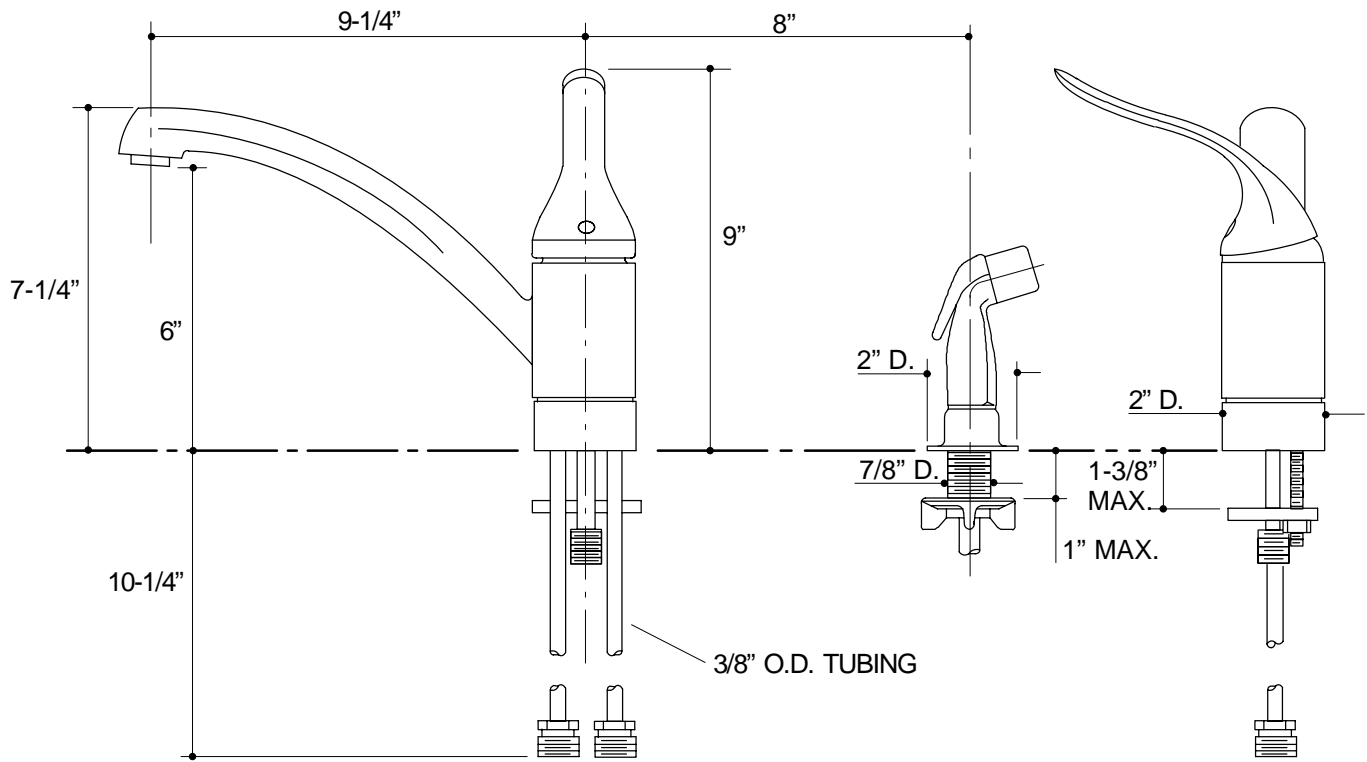
SPECIFIED MODEL:

| Model | Description | |
|-----------|------------------------------|---|
| K-15076-P | Coralais Kitchen Sink Faucet | <input type="checkbox"/> CP <input type="checkbox"/> PB <input type="checkbox"/> Other_____ |

NOTE: All faucets, except white and polished brass, come with black handspray and matching finish trim ring. White and polished brass faucets come with white handspray.

PRODUCT SPECIFICATION:

Single-control kitchen sink faucet shall be of metal construction. The valve shall be a one-piece, self-contained ceramic disc valve, and allows both volume and temperature control. The valve shall feature temperature memory, allowing the faucet to be turned on and off at any temperature setting, and includes a high-temperature limit stop. Product shall include 9-1/4" swing spout, lever handle, ground joint connections, and handspray. Faucet shall be Kohler Model K-15076-P-_____.



14

PRODUCT DIAGRAM