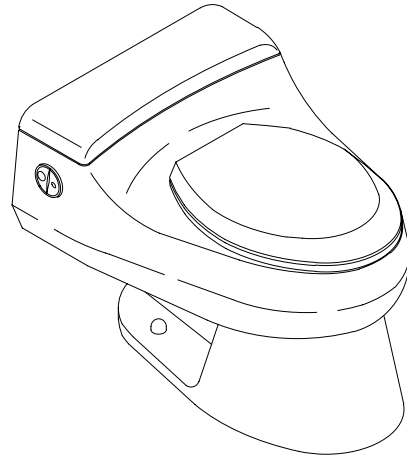


FEATURES

- 12" rough-in
- Vitreous china
- Elongated bowl
- Power Lite™ system (requires a 120 volt GFCI outlet)
- Includes seat and cover
- Includes Twin Touch™ actuator to select either 1.1 gallon flush or 1.6 gallon flush
- 12" x 10" water area
- One-piece
- Less supply



CODES/STANDARDS APPLICABLE

Specified model meets or exceeds the following:

- ASME/ANSI A112.19.2M
- ASME/ANSI A112.19.6M
- Energy Policy Act of 1992 (EPACT)
- IAPMO/UPC
- Underwriters Laboratories (UL)
- States of Massachusetts & Texas
- City of Los Angeles, CA

COLORS/FINISHES

- 0 White
- Other Refer to Fixtures Price Book for additional colors

Accessories:

- CP Polished Chrome
- PB Polished Brass

SPECIFIED MODEL:

Model	Description	Colors/Finishes	
		<input type="checkbox"/> 0 White	<input type="checkbox"/> Other _____
K-3398	Elongated bowl toilet	<input type="checkbox"/> 0 White	<input type="checkbox"/> Other _____
Recommended Accessories			
K-7637	3/8" N.P.S. supply, 3/8" riser tube	<input type="checkbox"/> CP	<input type="checkbox"/> PB
Optional Accessories			
K-9433	Twin Touch actuator (non-CP)	<input type="checkbox"/> PB	

PRODUCT SPECIFICATION:

The elongated one-piece toilet shall be 12" rough-in with Kohler Power Lite™ system. Toilet shall be made of vitreous china. Toilet shall include seat and cover. Toilet shall include Twin Touch actuator to select either 1.1 gallon flush or 1.6 gallon flush. Toilet shall have 12" x 10" water area. Toilet shall be less supply. Toilet shall be Kohler Model K-3398-_____.

SAN RAPHAEL™

REQUIRED ELECTRICAL SERVICE

Dedicated circuit required, protected with Class A Ground-Fault Circuit-Interrupter (GFCI):

Receptacle	120 V., 15 A, 60 Hz
------------	---------------------

PRODUCT INFORMATION

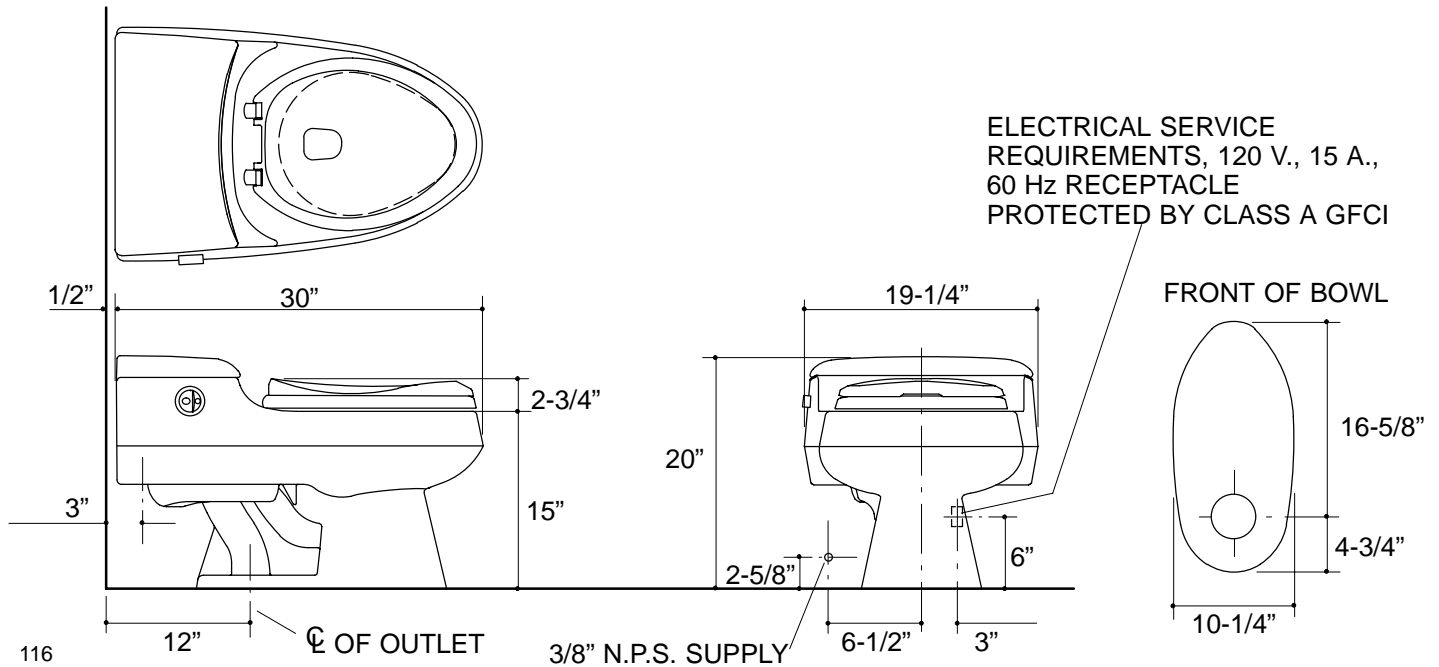
Fixture:

Configuration	1-piece, elongated
Gallons per flush	1.1/1.6 gallons
Passageway	2-1/8"
Water depth from rim	5-7/8"
Water area	12" x 10"
Seat post hole centers	5-1/2"
Minimum static pressure required	15 p.s.i.

Included Components:

Tank cover	84628
Bolt cap accessory pack	52048
Seat	K-4653 or K-4752
Twin Touch™ actuator	81996
Tank accessory pack	84301

Pump	HP	V	Hz	A
	1/5	120	60	8.5



PRODUCT DIAGRAM