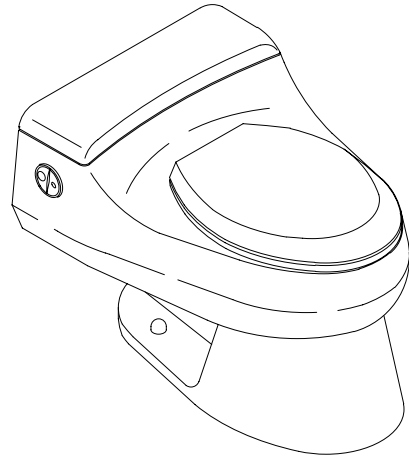


FEATURES

- 12" rough-in
- Vitreous china
- Elongated bowl
- Power Lite™ system (requires a 120 volt GFCI circuit)
- Includes seat and cover
- Designed for commercial use
- 1.6 gpf
- 12" x 10" water area
- One-piece
- Less supply
- With tank cover locks (-T)



CODES/STANDARDS APPLICABLE

Specified model meets or exceeds the following:

- ASME/ANSI A112.19.2M
- ASME/ANSI A112.19.6M
- Energy Policy Act of 1992 (EPACT)
- IAPMO/UPC
- Underwriters Laboratories (UL)
- States of Massachusetts & Texas
- City of Los Angeles, CA

COLORS/FINISHES

- 0 White
- Other Refer to Fixtures Price Book for additional colors

Accessories:

- CP Polished Chrome
- PB Polished Brass

SPECIFIED MODEL:

Model	Description	Colors/Finishes	
K-3399	Elongated bowl toilet	<input type="checkbox"/> 0 White	<input type="checkbox"/> Other _____
K-3399-T	Toilet with tank cover locks	<input type="checkbox"/> 0 White	<input type="checkbox"/> Other _____

Recommended Accessories			
K-7637	3/8" N.P.S. supply, 3/8" riser tube	<input type="checkbox"/> CP	<input type="checkbox"/> PB

Optional Accessories			
K-9433-A	Twin Touch™ actuator (non-CP)	<input type="checkbox"/> PB	

PRODUCT SPECIFICATION:

The elongated one-piece toilet shall be 12" rough-in with Kohler Power Lite™ system. Toilet shall be made of vitreous china. Toilet shall include seat and cover. Toilet shall be designed for commercial use. Toilet shall be 1.6 gpf. Toilet shall have 12" x 10" water area. Toilet shall be less supply. Toilet shall include tank cover locks (-T). Toilet shall be Kohler Model K-3399-_____-_____.

SAN RAPHAEL™

REQUIRED ELECTRICAL SERVICE

Dedicated circuit required, protected with Class A Ground-Fault Circuit-Interrupter (GFCI):

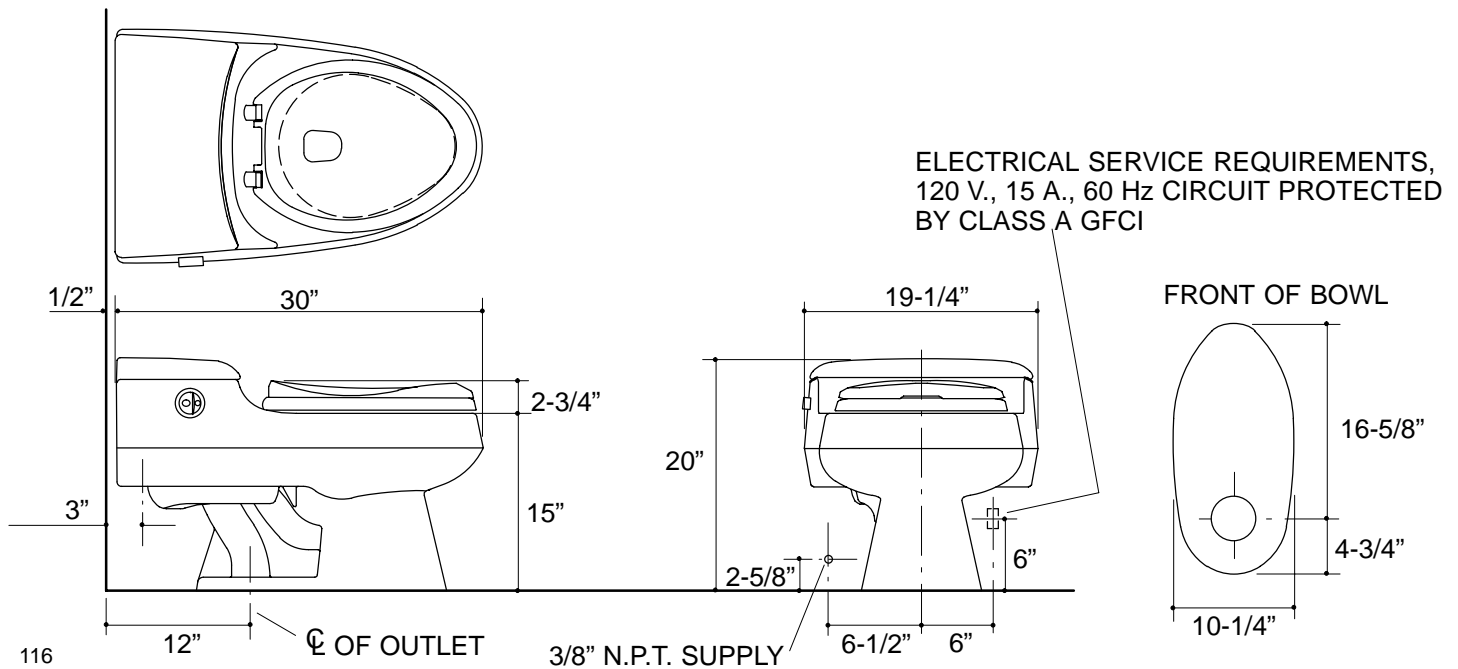
Receptacle	120 V., 15 A, 60 Hz
------------	---------------------

PRODUCT INFORMATION

Fixture:				
Configuration	1-piece, elongated			
Gallons per flush	1.6 gallons			
Passageway	2-1/8"			
Water depth from rim	5-7/8"			
Water area	12" x 10"			
Seat post hole centers	5-1/2"			
Minimum static pressure required	15 p.s.i.			
Included Components:				
Tank cover	84628			
Bolt cap accessory pack	52048			
Seat	K-4653 or K-4752			
Twin Touch™ actuator	81996-A			
Tank accessory pack	84301			
Pump:				
	HP	V	Hz	A
	1/5	120	60	8.5

INSTALLATION NOTES

IMPORTANT: Liquid tight flexible conduit will be required for connection between toilet and electrical service.



PRODUCT DIAGRAM