

Ordering Information

Applicable product:		
Left outlet	K-723-H	shown
Right outlet	K-724-H	not shown
Accessories/hardware:		
Jet trim kit	K-9696	required
Drain	K-7161-AF	recommended

Required Electrical Service

Dedicated circuit required, protected with Class A Ground-Fault Circuit-Interrupter (GFCI):	
Pump/control	120 V., 20 A, 60 Hz

Product Information

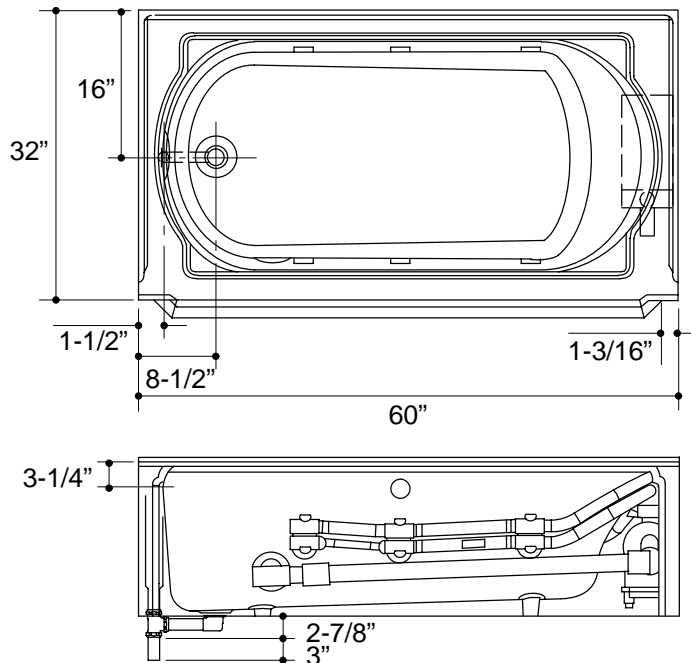
ADA compliant.			
Fixture*:	basin area	top area	weight
Bathing well	45" x 23"	54" x 25"	380 lbs.
	water depth	capacity	
To overflow	11-5/8"	52 gal.	
* Approximate measurements for comparison only.			

Pump	high HP	low HP	V	Hz	A
2-speed	1	1/8	120	60	16.5

Installation Notes

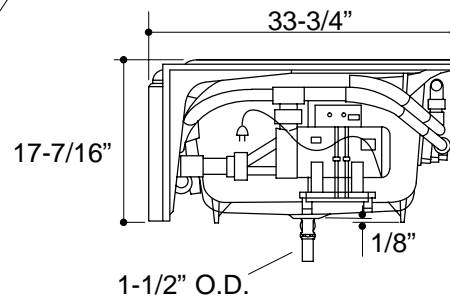
Refer to installation instructions included with fixture before beginning installation.

Each pump is supplied with a grounding type plug-in cord. Locate the outlet behind the whirlpool, and within 24" of the pump.



Roughing-In Notes		
Fixture dimensions are nominal and conform to tolerances in ANSI/ASME Standard A112.19.1.		
No change in measurements if connected with drain illustrated.		
Minimum access panel:		
Pump/control	20" W x 15" H	required

PUMP/CONTROL ACCESS



316