

## Ordering Information

Applicable product:		
Left outlet	K-723-H	shown
Right outlet	K-724-H	not shown
Accessories/hardware:		
Jet trim kit	K-9696	required
Drain	K-7161-AF	recommended

## Required Electrical Service

Dedicated circuit required, protected with Class A Ground-Fault Circuit-Interrupter (GFCI):	
Pump/control	120 V., 20 A, 60 Hz

## Product Information

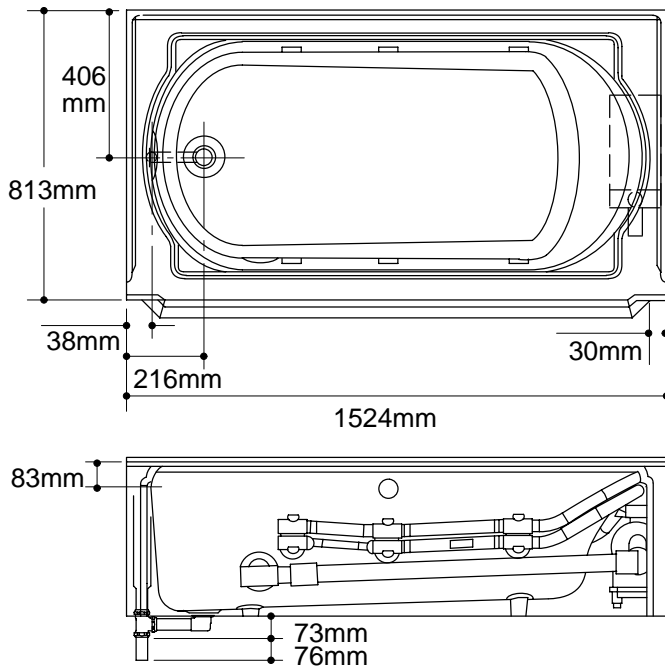
ADA compliant.			
Fixture*:	basin area	top area	weight
Bathing well	1143 x 584mm	1372 x 635mm	172 Kg.
	water depth	capacity	
To overflow	295mm	197 litres	
* Approximate measurements for comparison only.			

Pump	high HP	low HP	V	Hz	A
2-speed	1	1/8	120	60	16.5

## Installation Notes

Refer to installation instructions included with fixture before beginning installation.

Each pump is supplied with a grounding type plug-in cord. Locate the outlet behind the whirlpool, and within 610mm of the pump.



316

<b>Roughing-In Notes</b>		
Fixture dimensions are nominal and conform to tolerances in ANSI/ASME Standard A112.19.1.		
No change in measurements if connected with drain illustrated.		
Minimum access panel:		
Pump/control	508mm W x 381mm H	required

### PUMP/CONTROL ACCESS

