

Ordering Information

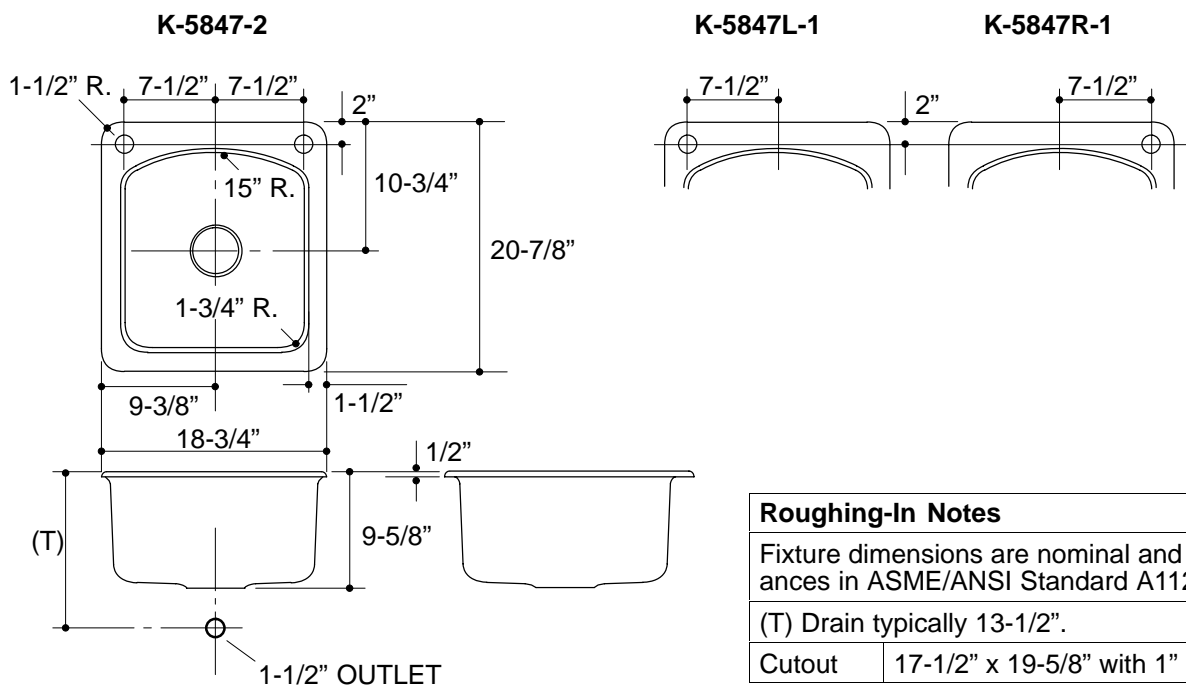
Applicable product:		
Two-hole sink	K-5847-2	shown
One-hole sink, left side	K-5847L-1	not shown
One-hole sink, right side	K-5847R-1	not shown
Accessories/hardware:		
Hardwood cutting board	K-3294	optional
Wire rack	K-6009	optional

Product Information

Fixture*:		basin area	water depth
Sink		16" x 17"	9"
Outlet	3-7/8" D.		
Faucet hole	1-3/8" D.		
* Approximate measurements for comparison only.			

Installation Notes

Refer to installation instructions included with fixture before beginning installation.



Roughing-In Notes

Fixture dimensions are nominal and conform to tolerances in ASME/ANSI Standard A112.19.1M.

(T) Drain typically 13-1/2".

Cutout 17-1/2" x 19-5/8" with 1" radius corners.