

### Ordering Information

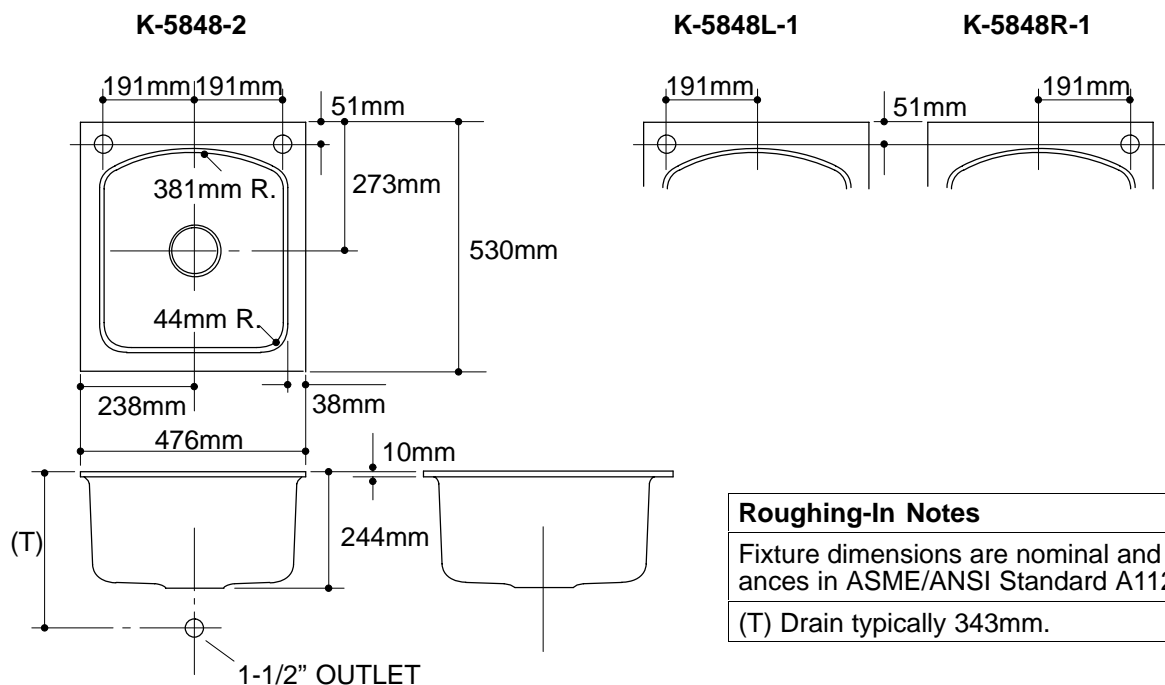
Applicable product:		
Two-hole sink	K-5848-2	shown
One-hole sink, left side	K-5848L-1	not shown
One-hole sink, right side	K-5848R-1	not shown
Accessories/hardware:		
Hardwood cutting board	K-3294	optional
Wire rack	K-6009	optional

### Product Information

Fixture*:		basin area	water depth
Sink		406 x 432mm	229mm
Outlet	Ø98mm		
Faucet hole	Ø35mm		
* Approximate measurements for comparison only.			

### Installation Notes

Refer to installation instructions included with fixture before beginning installation.



<b>Roughing-In Notes</b>
Fixture dimensions are nominal and conform to tolerances in ASME/ANSI Standard A112.19.1M.
(T) Drain typically 343mm.