

Ordering Information

Applicable product:		
Five-hole sink	K-5879-5	shown
Four-hole sink	K-5879-4	not shown
Three-hole sink	K-5879-3	not shown
Accessories/hardware:		
Bottom basin rack	K-6008	optional

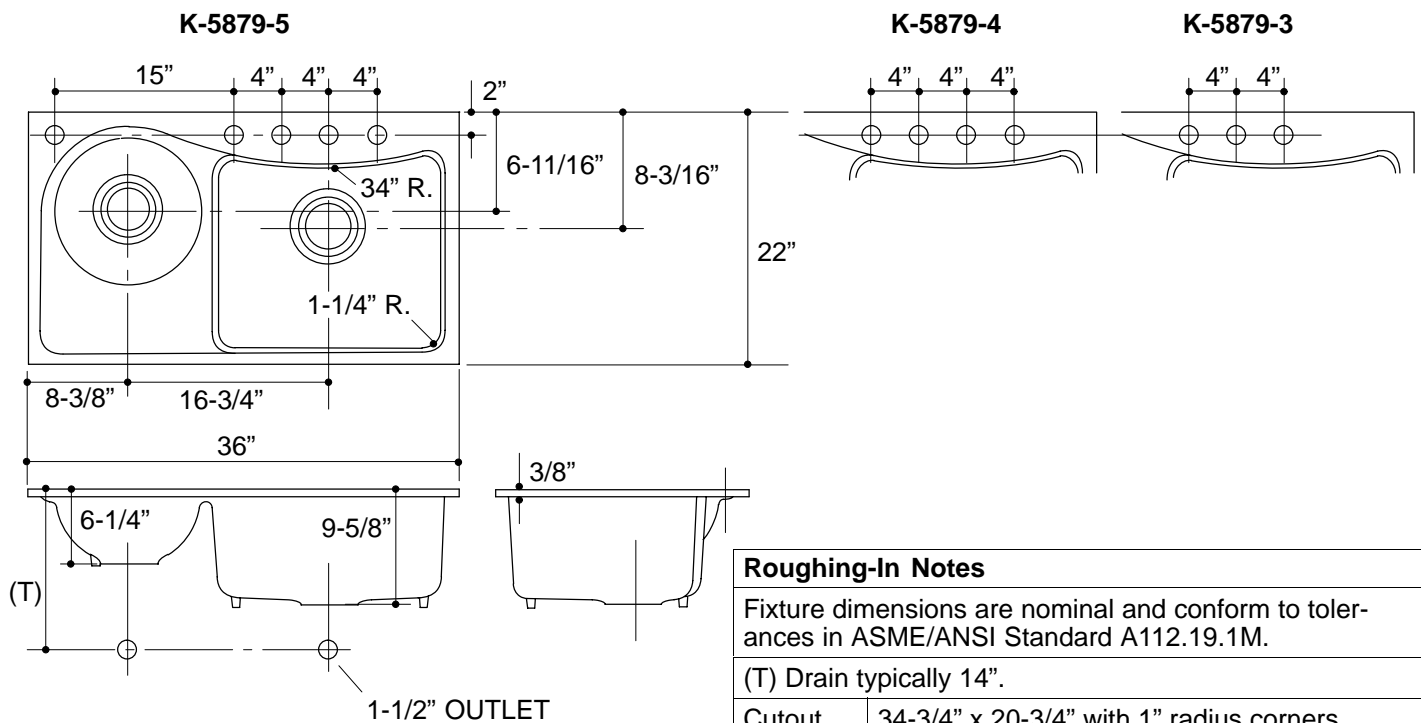
Product Information

Fixture*:		basin area	water depth
Sink, small		11-1/2" D.	5"
Sink, large		19" x 18"	8-1/2"
Outlet	3-7/8" D.		
Faucet and spout holes	1-3/8" D.		
* Approximate measurements for comparison only.			

Included Components:	
Hardwood cutting board	95723

Installation Notes

Refer to installation instructions included with fixture before beginning installation.



Roughing-In Notes	
Fixture dimensions are nominal and conform to tolerances in ASME/ANSI Standard A112.19.1M.	
(T) Drain typically 14".	
Cutout	34-3/4" x 20-3/4" with 1" radius corners.