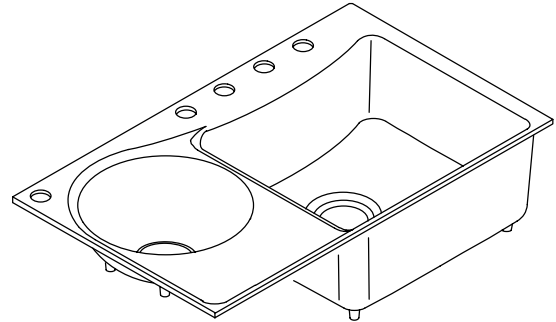


FEATURES

- 36" x 22"
- Cast iron
- Tile-in
- 5-hole (K-5879-5), 4-hole (K-5879-4), or 3-hole (K-5879-3) drilling
- Includes hardwood cutting board



CODES/STANDARDS APPLICABLE

Specified model meets or exceeds the following:

- ASME/ANSI A112.19.1M
- IAPMO/UPC
- Canadian Standards Association (CSA)

COLORS/FINISHES

- 0 White
- Other Refer to Fixtures Price Book for additional colors

Accessories:

- CP Polished Chrome
- 0 White
- NA None Applicable
- Other Refer to Price Book for additional colors

SPECIFIED MODEL:

Model	Description	Colors/Finishes	
K-5879-5	5-hole sink	<input type="checkbox"/> 0 White	<input type="checkbox"/> Other_____
K-5879-4	4-hole sink	<input type="checkbox"/> 0 White	<input type="checkbox"/> Other_____
K-5879-3	3-hole sink	<input type="checkbox"/> 0 White	<input type="checkbox"/> Other_____
Optional Accessories			
K-6008	Bottom basin rack	<input type="checkbox"/> 0 White	<input type="checkbox"/> Other_____
K-8801	Duostrainer sink strainer	<input type="checkbox"/> CP	<input type="checkbox"/> Other_____

PRODUCT SPECIFICATION:

The tile-in sink shall be 36" in length, and 22" in width. Sink shall be made of cast iron. Sink shall be double compartment. Sink shall be 5-hole (K-5879-5), 4-hole (K-5879-4), or 3-hole (K-5879-3) drilled. Sink shall include hardwood cutting board. Sink shall be Kohler Model K-5879-_____-_____.

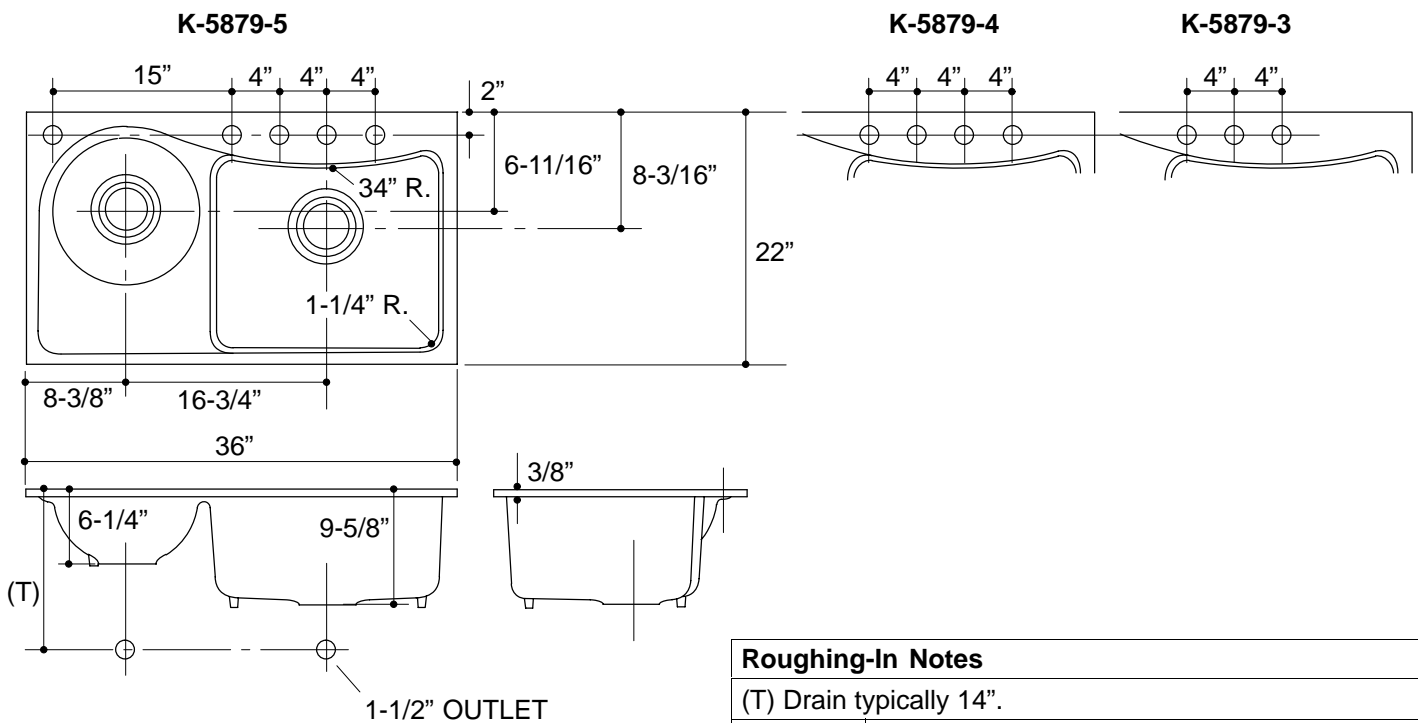
CILANTRO™

PRODUCT INFORMATION

Fixture*:		basin area	water depth
Sink, small		11-1/2" D.	5"
Sink, large		19" x 18"	8-1/2"
Outlet	3-7/8" D.		
Faucet and spout holes	1-3/8" D.		

* Approximate measurements for comparison only.

Included Components:	
Hardwood cutting board	95723



PRODUCT DIAGRAM