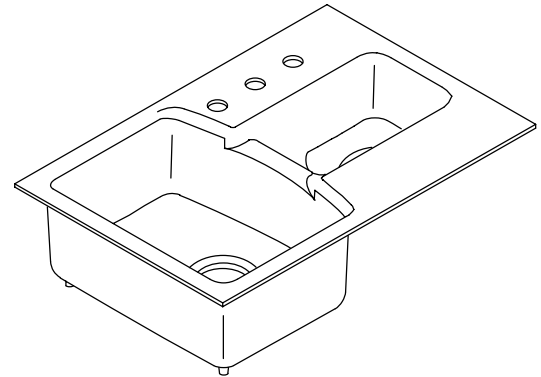


K-5882L, K-5882R

FEATURES

- 33" x 22"
- Cast iron
- Tile-in
- 3-hole (K-5882R-3 or K-5882L-3), or 4-hole (K-5882R-4 or K-5882L-4) drilling
- Holes on the right or left side
- Includes hardwood cutting board



CODES/STANDARDS APPLICABLE

Specified model meets or exceeds the following:

- ASME/ANSI A112.19.1M
- IAPMO/UPC
- Canadian Standards Association (CSA)
- State of Massachusetts

COLORS/FINISHES

- 0 White
- Other Refer to Fixtures Price Book for additional colors

Accessories:

- CP Polished Chrome
- 0 White
- NA None Applicable
- Other Refer to Price Book for additional colors

SPECIFIED MODEL:

Model	Description	Colors/Finishes	
K-5882L-3	3-hole sink, left side	<input type="checkbox"/> 0 White	<input type="checkbox"/> Other_____
K-5882L-4	4-hole sink, left side	<input type="checkbox"/> 0 White	<input type="checkbox"/> Other_____
K-5882R-3	3-hole sink, right side	<input type="checkbox"/> 0 White	<input type="checkbox"/> Other_____
K-5882R-4	4-hole sink, right side	<input type="checkbox"/> 0 White	<input type="checkbox"/> Other_____
Optional Accessories			
K-6007	Bottom basin rack	<input type="checkbox"/> 0 White	<input type="checkbox"/> Other_____
K-8801	Duostrainer sink strainer	<input type="checkbox"/> CP	<input type="checkbox"/> Other_____

PRODUCT SPECIFICATION:

The tile-in sink shall be 33" in length, and 22" in width. Sink shall be made of cast iron. Sink shall be double compartment. Sink shall be 3-hole (K-5882L-3 or K-5882R-3), or 4-hole (K-5882L-4 or K-5882R-4) drilled. Sink holes shall either be on the left or right side. Sink shall include hardwood cutting board. Sink shall be Kohler Model K-5882_____-_____-_____.

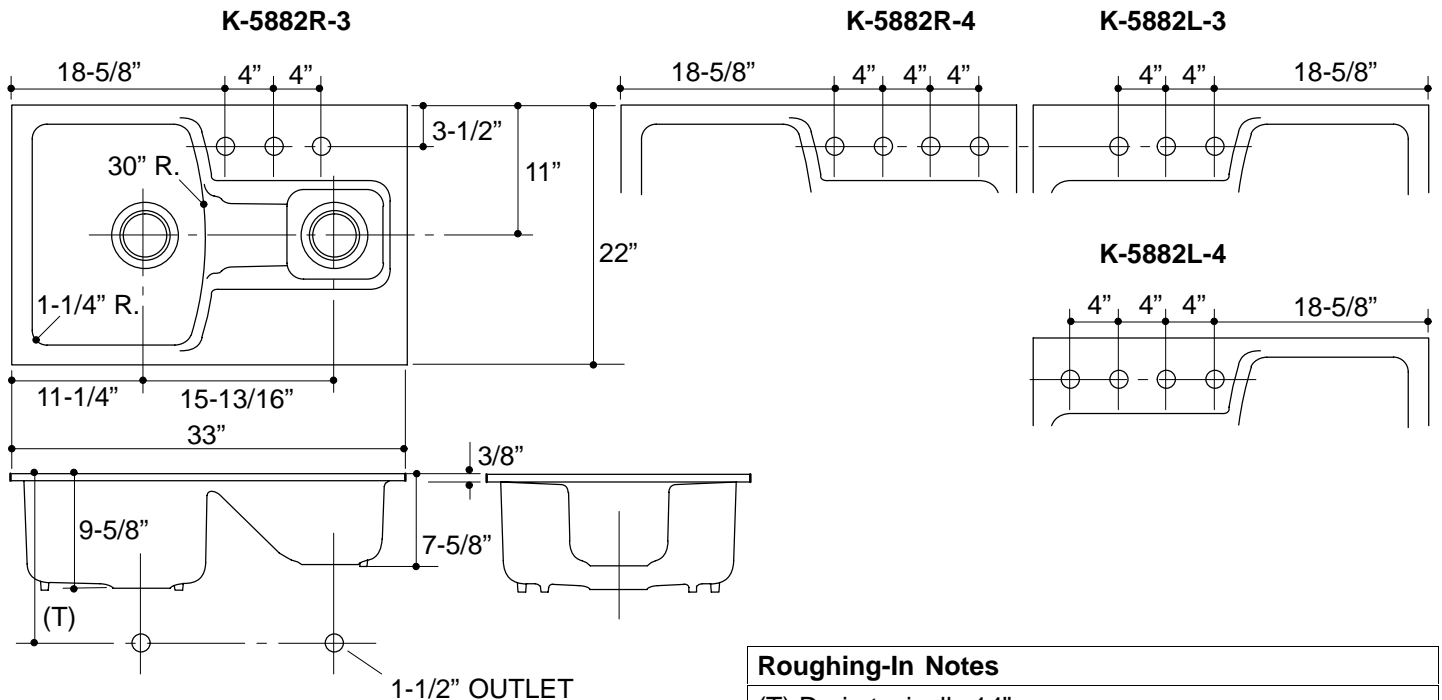
CARDAMOM™

PRODUCT INFORMATION

Fixture*:		basin area	water depth
Sink, small		15" x 8"	6"
Sink, large		15" x 19"	8"
Outlet	3-7/8" D.		
Faucet and spout holes	1-3/8" D.		

* Approximate measurements for comparison only.

Included Components:	
Hardwood cutting board	95720



Roughing-In Notes	
(T) Drain typically 14".	
Cutout	31-3/4" x 20-3/4" with 1" radius corners.

14

PRODUCT DIAGRAM