

Ordering Information

| | | |
|-----------------------------|-----------|-----------|
| Applicable product: | | |
| Three-hole sink, Right side | K-5882R-3 | shown |
| Four-hole sink, Right side | K-5882R-4 | not shown |
| Three-hole sink, Left side | K-5882L-3 | not shown |
| Four-hole sink, Left side | K-5882L-4 | not shown |
| Accessories/hardware: | | |
| Bottom basin rack | K-6007 | optional |

Product Information

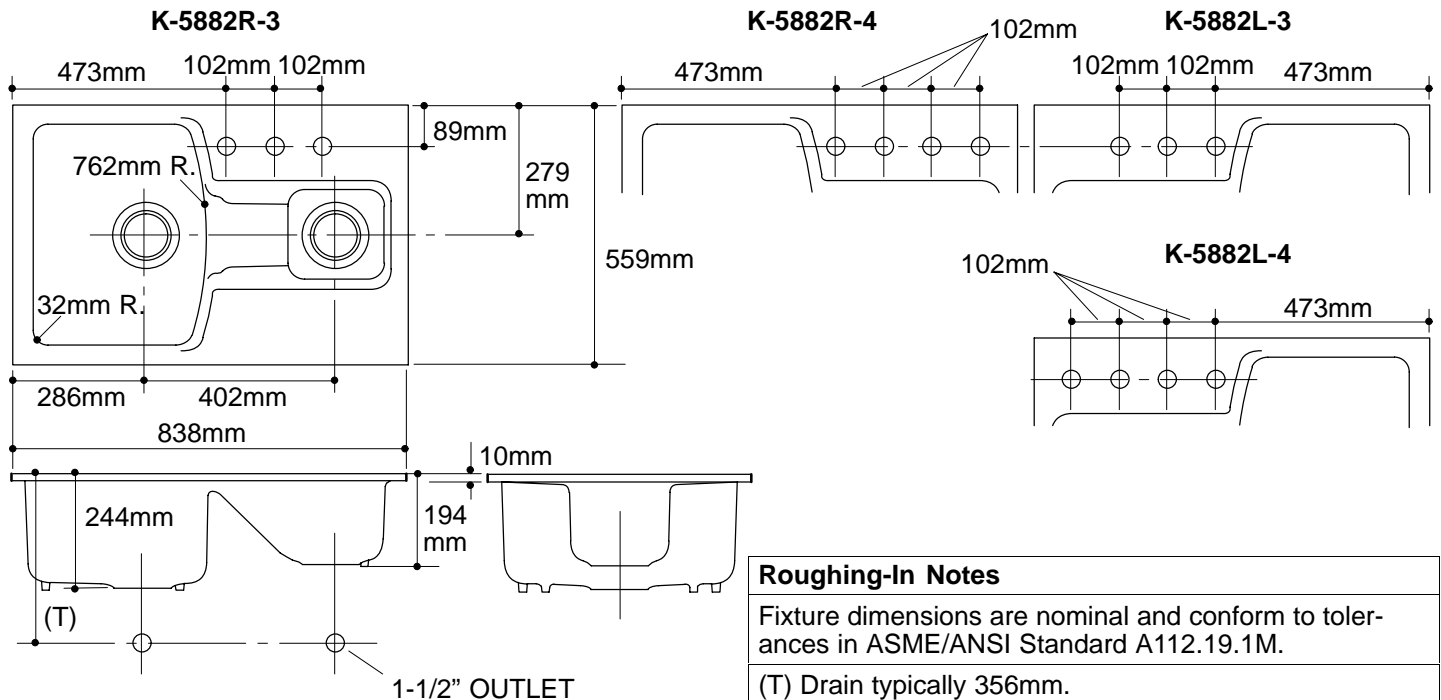
| | | | |
|---|-------|-------------|-------------|
| Fixture*: | | basin area | water depth |
| Sink, small | | 381 x 203mm | 152mm |
| Sink, large | | 381 x 483mm | 203mm |
| Outlet | Ø98mm | | |
| Faucet and spout holes | Ø35mm | | |
| * Approximate measurements for comparison only. | | | |

Included Components:

| | |
|------------------------|-------|
| Hardwood cutting board | 95720 |
|------------------------|-------|

Installation Notes

Refer to installation instructions included with fixture before beginning installation.



Roughing-In Notes

Fixture dimensions are nominal and conform to tolerances in ASME/ANSI Standard A112.19.1M.

(T) Drain typically 356mm.

Cutout 806 x 527mm with 25mm radius corners.