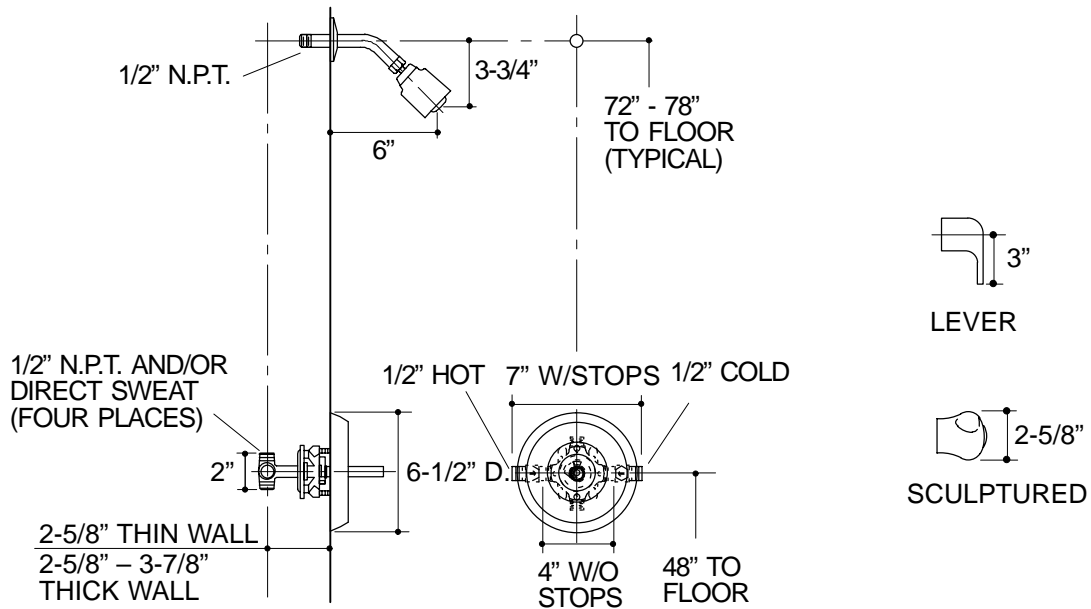


Ordering Information

Applicable shower faucet:	
Trim only with lever handle*	K-T15111-4
Trim only with sculptured acrylic handle*	K-T15111-7
*Valve must be ordered to complete faucet.	

ADA Lever handles are ADA compliant

Applicable valve:		
Less stops	K-15700-K	required**
With stops	K-15700-KS	required**
**Required for configuration illustrated.		



332

K-T15111, K-15700-K Coralais™ Shower Faucet Trim
114982-1-BA (-)

KOHLER[®]

NOTES: