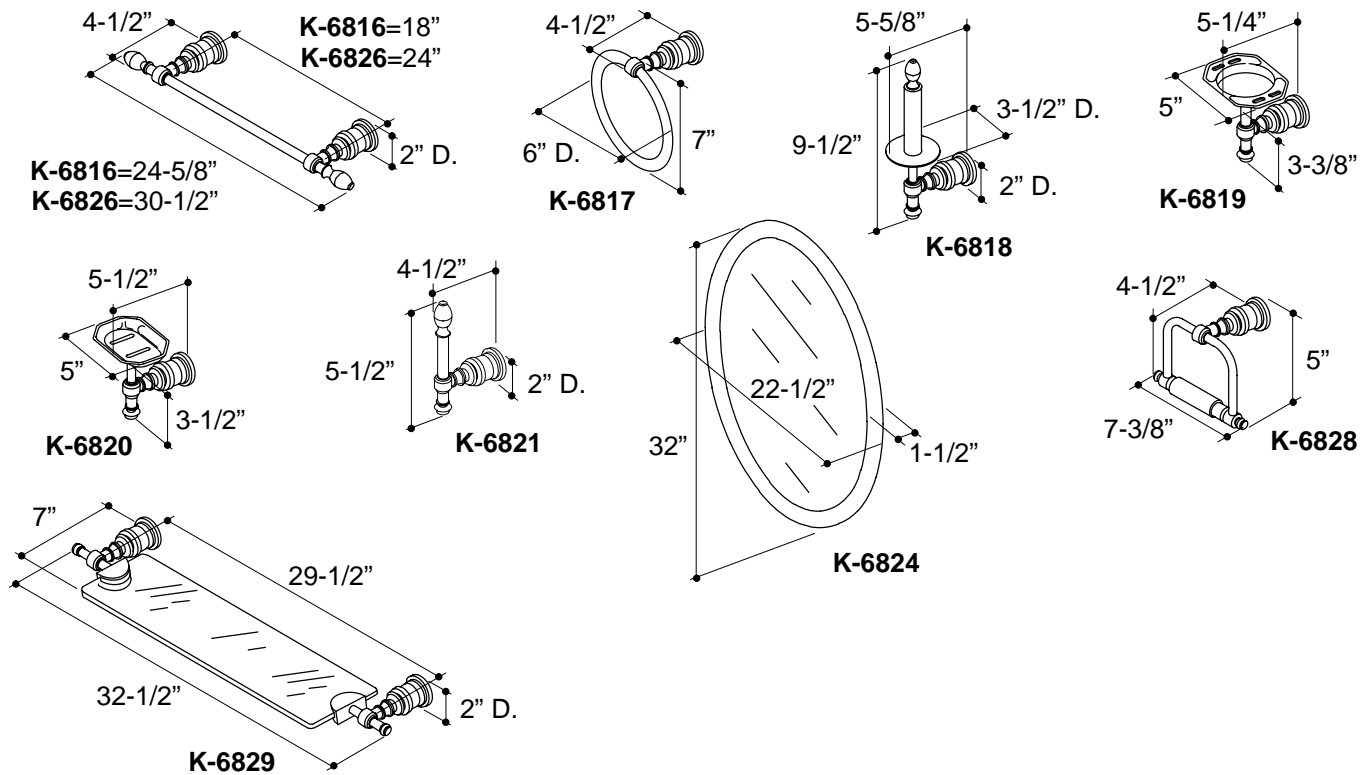


Ordering Information

Applicable product:	
18" towel bar	K-6816
Towel ring	K-6817
Vertical toilet tissue holder	K-6818
Tumbler and toothbrush holder	K-6819-GD
Soap dish	K-6820
Robe hook	K-6821
Mirror	K-6824
24" towel bar	K-6826
Horizontal toilet tissue holder	K-6828
Glass shelf	K-6829



K-6816 IV Georges Brass Accessories
115014-1-AA (9619)

NOTES: