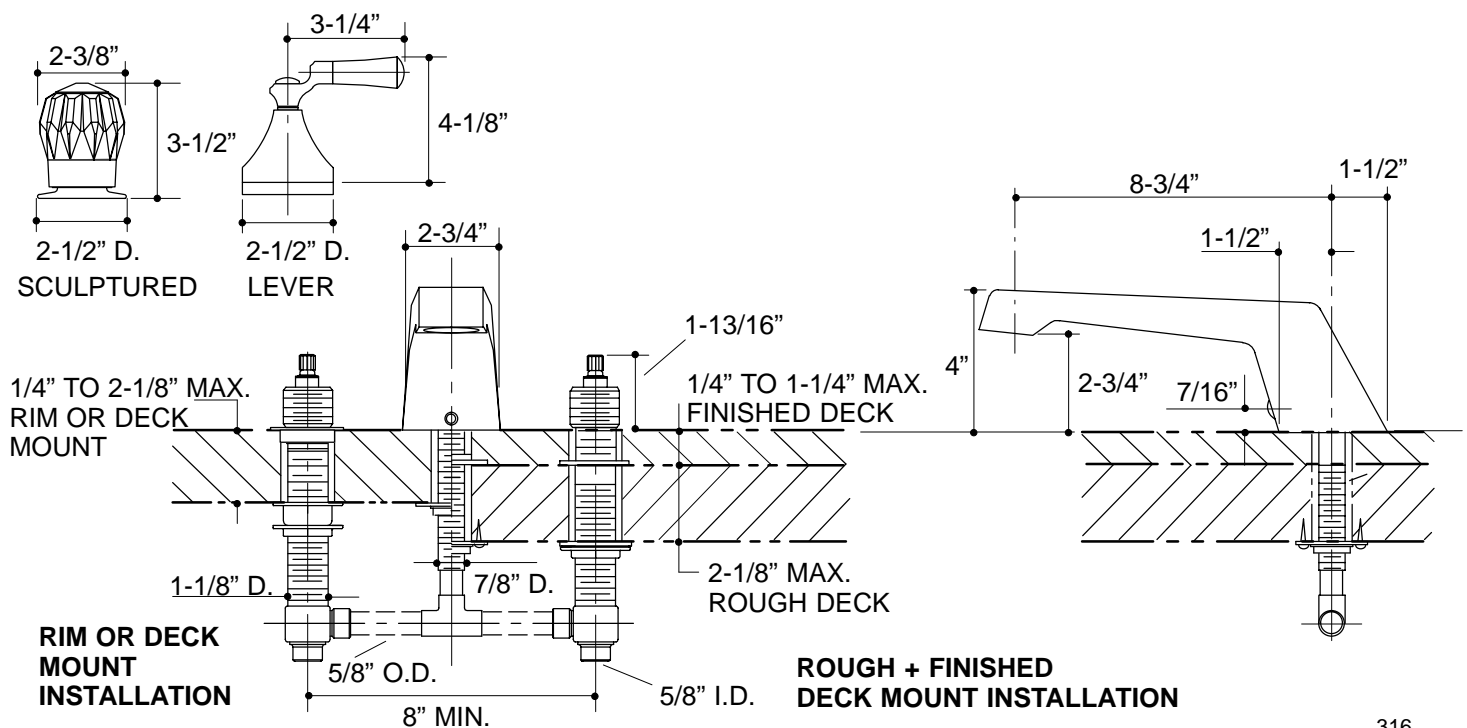


### Ordering Information

Applicable faucet trim:		
Lever handles*	K-T6225-4	
Sculptured acrylic handles*	K-T6225-7	
*Valve K-300-K must be ordered to complete faucet.		
Applicable valve system only:		
1/2" valve system	K-300-K-NA	required**
**Required for configuration illustrated.		
<b>ADA</b> Lever handles are ADA compliant		



316

K-T6225, K-300-K Flair™ Bath Faucet  
115023-1-AA (9619)

**KOHLER®**

NOTES: