

BATH FAUCET TRIM
K-T6225
ALSO K-300-K

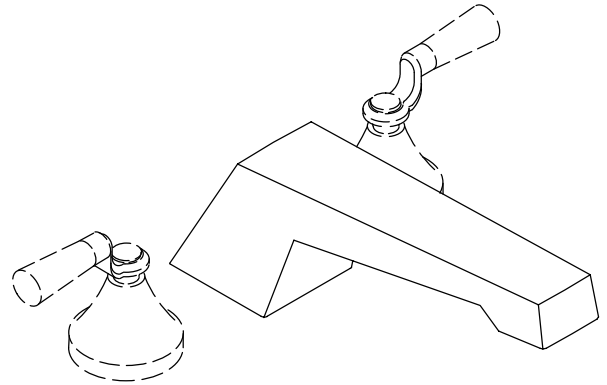
FEATURES

- Brass construction
- Deck-mount
- 8-3/4" Roman non-diverter spout with slip-fit connection
- Available with lever or sculptured acrylic handles

CODES/STANDARDS APPLICABLE

Specified model meets or exceeds the following:



- ASME/ANSI A112.18.1M
- Canadian Standards Association (CSA)
- NSF 14

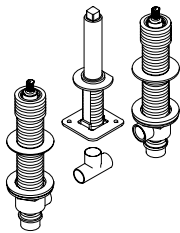


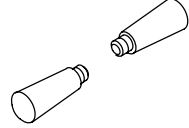
COLORS/FINISHES

- CP Polished Chrome
- PB Polished Brass

SPECIFIED MODEL: For complete faucet, both faucet trim and valve system must be specified.

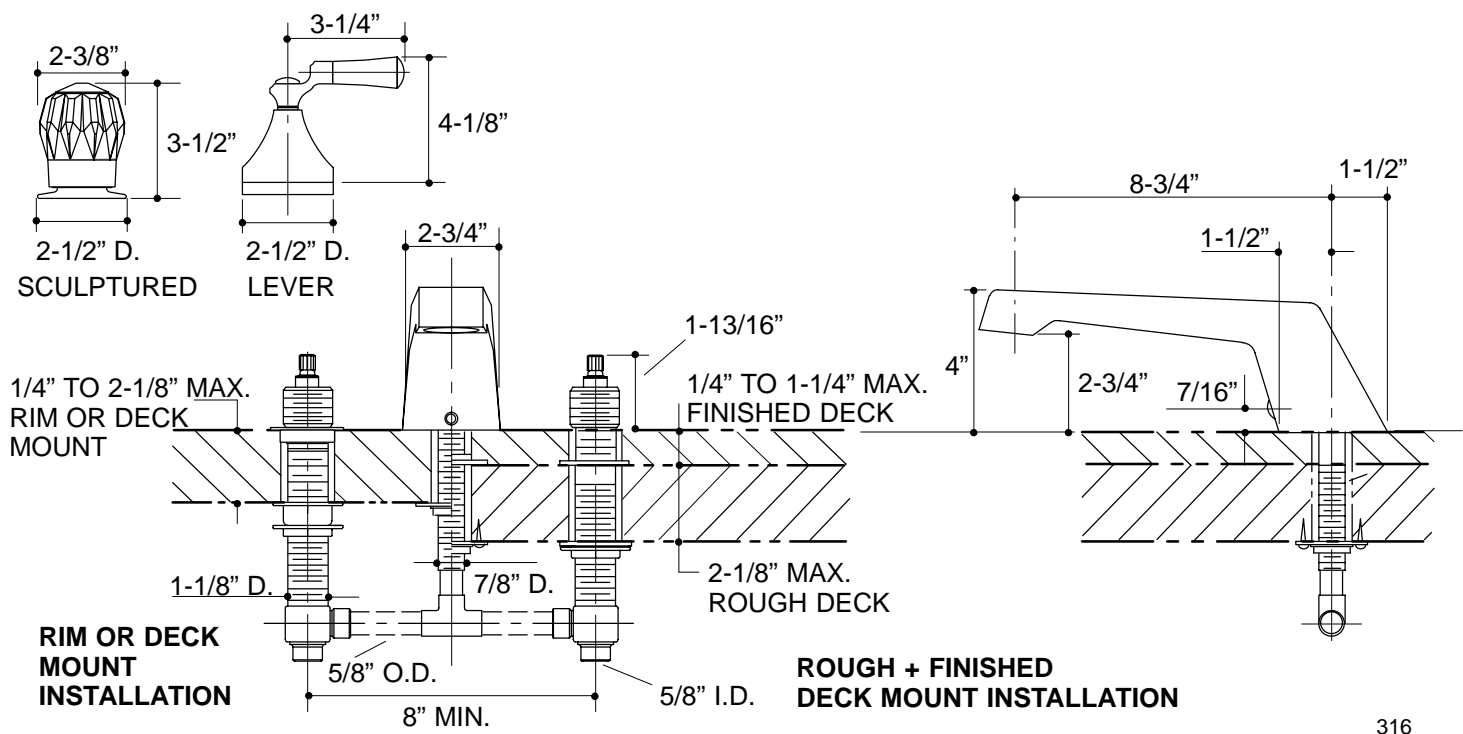
Model	Description	 ADA	
K-T6225-4	With Lever Handles and Clear Acrylic Inserts	<input type="checkbox"/> CP <input type="checkbox"/> PB	
K-T6225-7	With Sculptured Acrylic Handles		<input type="checkbox"/> CP <input type="checkbox"/> PB

Required Accessory		
K-300-K	1/2" High-Flow Ceramic Disc Valve System	<input type="checkbox"/> NA

Optional Accessory		
K-7266	Lever Handle Inserts, Pair	<input type="checkbox"/> CP <input type="checkbox"/> PB <input type="checkbox"/> Other_____

PRODUCT SPECIFICATION:

Two-handle deck-mount bath faucet trim shall be of brass construction. Product shall include 8-3/4" Roman non-diverter spout with slip-fit connection, and lever or sculptured acrylic handles. Faucet trim shall be Kohler Model K-T6225-_____-_____- and valve system shall be Kohler Model K-300-K-NA.



PRODUCT DIAGRAM