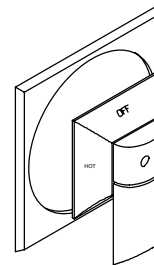
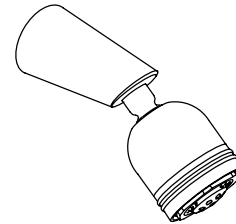


FEATURES

- Brass construction
- Lever handle
- Multi-piece faceplate
- Three-way showerhead with arm

SHOWER FAUCET TRIM
K-T6469-4B
ALSO K-T6415-4B, K-304

ADA



CODES/STANDARDS APPLICABLE

Specified model meets or exceeds the following:

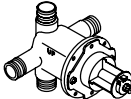
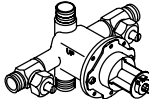
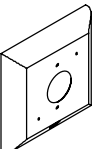
- ASME/ANSI A112.18.1M
- ASSE/ANSI 1016
- IAPMO/UPC (K-T6415-4B)

COLORS/FINISHES

- CP Polished Chrome
- PB Polished Brass

SPECIFIED MODEL: For complete faucet, both faucet trim and Rite-Temp valve must be specified.

Model	Description	<input type="checkbox"/> CP	<input type="checkbox"/> PB
K-T6469-4B	Shower Only Faucet Trim	<input type="checkbox"/> CP	<input type="checkbox"/> PB
K-T6415-4B	Valve Only Faucet Trim	<input type="checkbox"/> CP	<input type="checkbox"/> PB

Required Accessories				
K-304-K	Rite-Temp Valve Without Stops	<input type="checkbox"/> NA		
K-304-KS	Rite-Temp Valve With Stops		<input type="checkbox"/> NA	
K-17206	Decorative Insert, Single			<input type="checkbox"/> CP <input type="checkbox"/> PB <input type="checkbox"/> Other_____

PRODUCT SPECIFICATION:

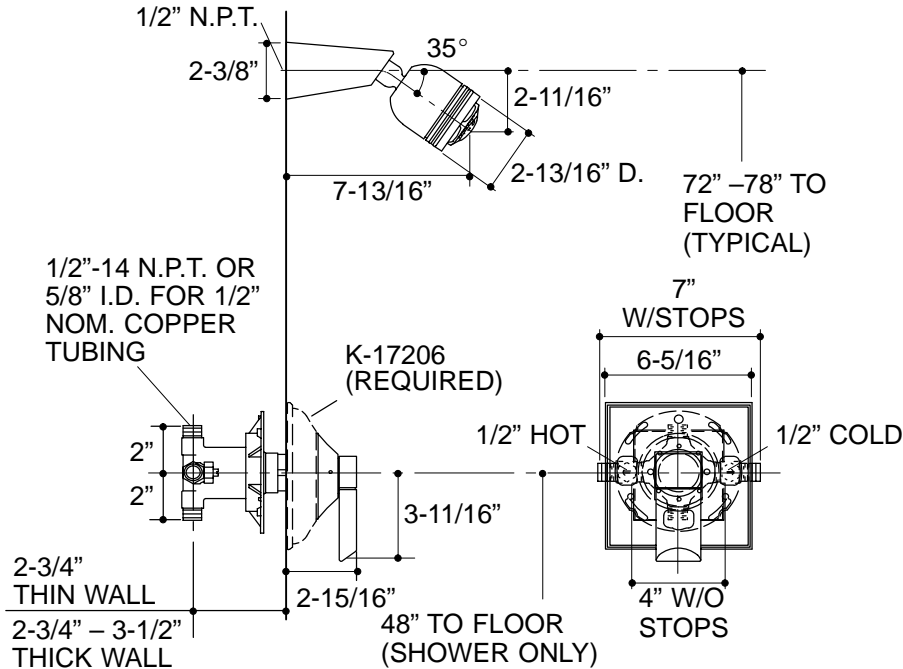
Rite-Temp pressure-balancing single-control shower faucet trim shall be of brass construction. Shower trim shall include showerhead with arm, and faceplate with handle. Valve only trim shall include faceplate with handle. Faucet trim shall be K-T_____ -4B-_____ with K-17206-_____ insert. Rite-Temp valve shall be K-304-K____-NA.

INSTALLATION NOTES

Avoid cross-flow conditions. Do not install shut-off device on either valve outlet.

Cap shower outlet if deck-mount spout, diverter, or handshower is connected to spout outlet.

Install straight pipe or tube drop of 7 to 18" with single elbow between valve and wall-mount spout.



PRODUCT DIAGRAM