

**FEATURES**

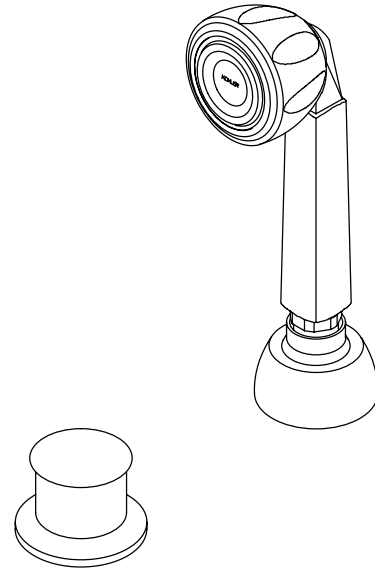
- Bath- or deck-mount
- Two-way brass diverter valve
- Gentle to full-flow spray
- 2.5 gallons per minute

**CODES/STANDARDS APPLICABLE**

Specified model meets or exceeds the following:

- ASME/ANSI A112.18.1M
- ASSE 1014
- ASSE 1025
- CSA B125
- Energy Policy Act of 1992 (K-6527, K-9677)
- IAPMO/UPC
- Listed in the States of Wisconsin and Michigan (K-6527, K-9530)

**HANDSHOWER KIT**  
**K-6527**  
**ALSO K-9530, K-9677**



**COLORS/FINISHES**

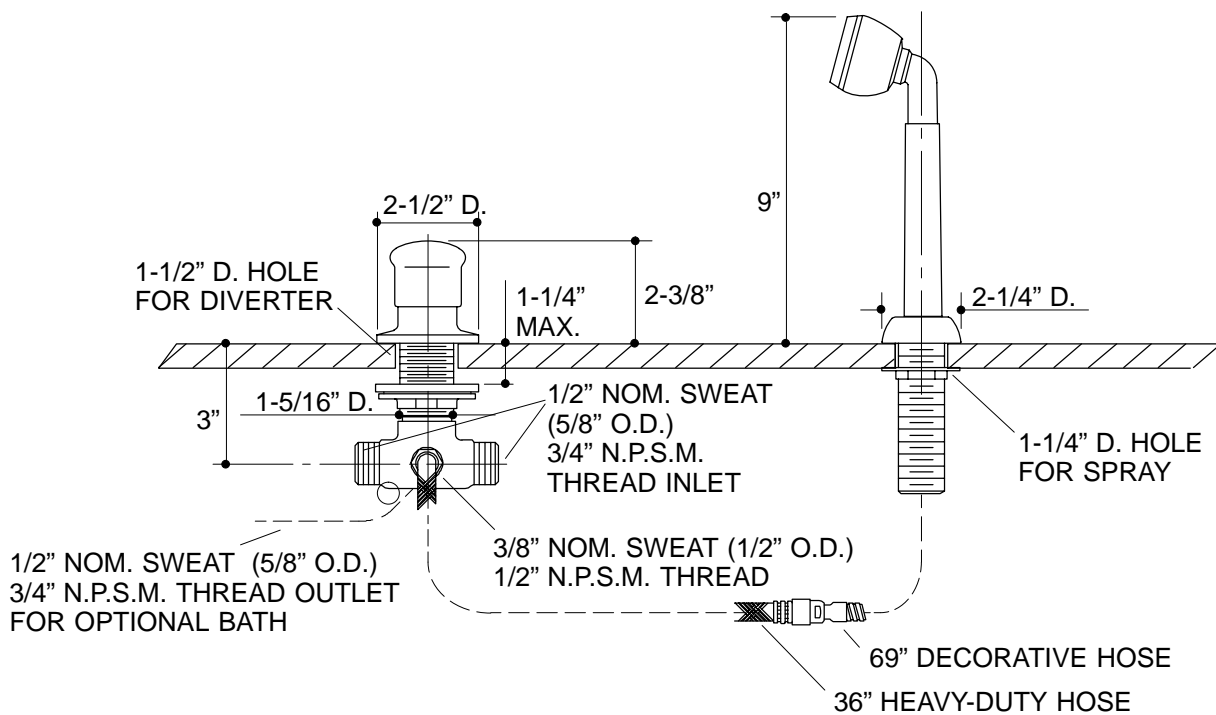
- CP Polished Chrome
- PB Polished Brass
- Other Refer to Faucets Price Book for additional finishes

**SPECIFIED MODEL:**

Model	Description			
K-6527	Persona™ Handshower With Two-Way Diverter Valve	<input type="checkbox"/> CP	<input type="checkbox"/> PB	<input type="checkbox"/> Other_____
K-9530	Two-Way Diverter Valve Only	<input type="checkbox"/> CP	<input type="checkbox"/> PB	<input type="checkbox"/> Other_____
K-9677	Persona Handshower Only	<input type="checkbox"/> CP	<input type="checkbox"/> PB	<input type="checkbox"/> Other_____

**PRODUCT SPECIFICATION:**

Handshower kit shall be bath- or deck-mount. K-6527 shall feature two-way diverter valve with Persona handshower, which delivers a gentle to full-flow spray. K-9530 shall feature a brass-constructed two-way diverter valve. K-9677 shall feature a Persona handshower with adjustable spray to deliver a gentle to full-flow spray. Product shall be Kohler Model K-\_\_\_\_\_ -\_\_\_\_\_.



316

## PRODUCT DIAGRAM