

**FEATURES**

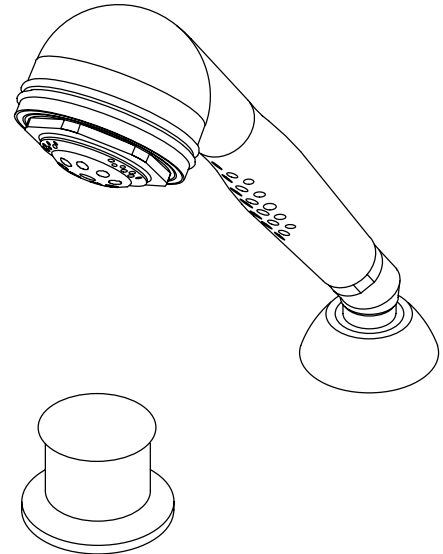
- Bath- or deck-mount
- Two-way brass diverter valve
- Soft-aerated, full-flow, or pulsating spray
- 2.5 gallons per minute

**CODES/STANDARDS APPLICABLE**

Specified model meets or exceeds the following:

- ASME/ANSI A112.18.1M
- ASSE 1014
- ASSE 1025
- CSA B125
- Energy Policy Act of 1992 (K-6528, K-6529)
- IAPMO/UPC (K-6529, K-9530)
- Listed in State of Wisconsin (K-6529, K-9530)

**HANDSHOWER KIT**  
**K-6529**  
**ALSO K-6528, K-9530**



**COLORS/FINISHES**

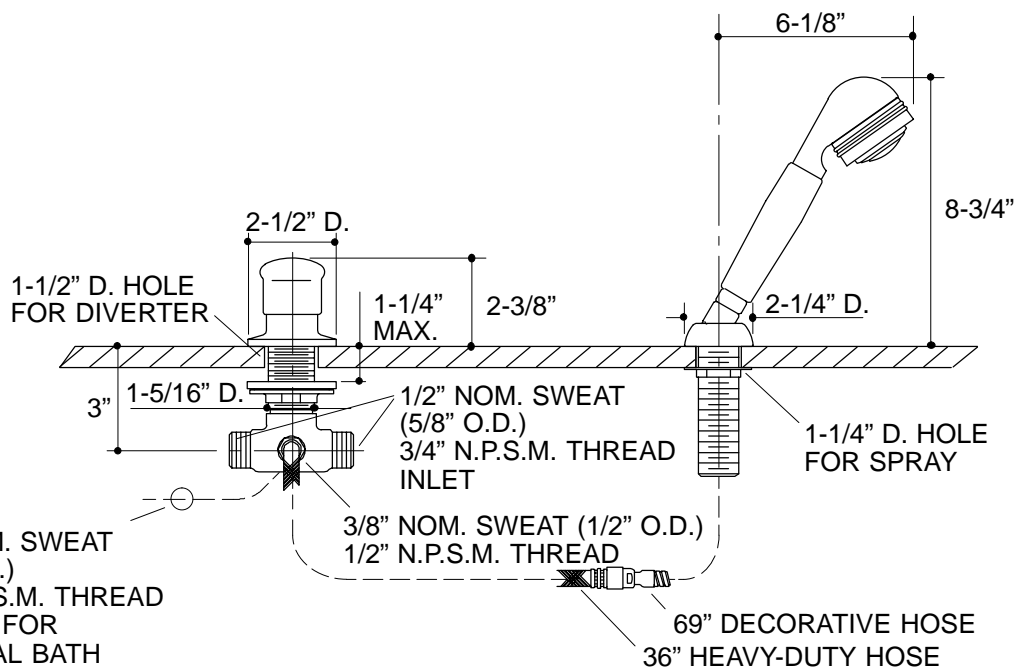
- CP Polished Chrome
- PB Polished Brass
- Other Refer to Faucets Price Book for additional finishes

**SPECIFIED MODEL:**

Model	Description			
K-6528	MasterShower Handshower Only	<input type="checkbox"/> CP	<input type="checkbox"/> PB	<input type="checkbox"/> Other_____
K-6529	MasterShower™ Handshower With Two-Way Diverter Valve	<input type="checkbox"/> CP	<input type="checkbox"/> PB	<input type="checkbox"/> Other_____
K-9530	Two-Way Diverter Valve Only	<input type="checkbox"/> CP	<input type="checkbox"/> PB	<input type="checkbox"/> Other_____

**PRODUCT SPECIFICATION:**

Handshower kit shall be bath- or deck-mount. K-6528 shall feature a MasterShower handshower with adjustable spray to deliver a soft-aerated, full-flow, or pulsating spray. K-6529 shall feature diverter valve with MasterShower handshower, which delivers a soft-aerated, full-flow, or pulsating spray. K-9530 shall feature a brass-constructed two-way diverter valve. Product shall be Kohler Model K-\_\_\_\_\_ - \_\_\_\_\_.



316

## PRODUCT DIAGRAM