

KITCHEN SINK FAUCET
K-6972-2
ALSO K-6973-2

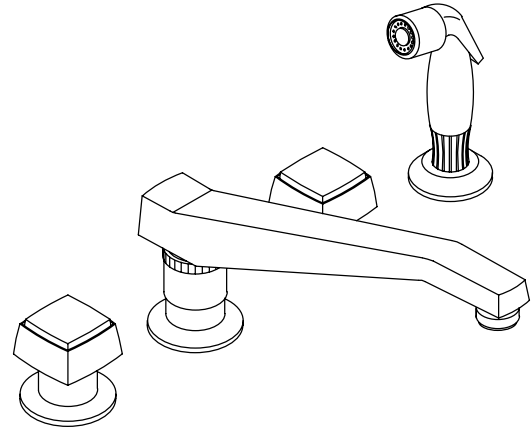
FEATURES

- Brass construction
- For 8" centers
- Brass valve bodies
- Quarter-turn washerless ceramic disc valves
- 9-1/2" swing spout
- 2.5 gallons per minute
- Square handles
- Available with black or white handspray
- Includes matching brushed metal insets

CODES/STANDARDS APPLICABLE

Specified model meets or exceeds the following:

- ASME/ANSI A112.18.1M
- CSA B125
- Energy Policy Act of 1992
- IAPMO/UPC
- NSF 61



COLORS/FINISHES

- CP Polished Chrome
- PB Polished Brass
- Other Refer to Faucets Price Book for additional finishes

SPECIFIED MODEL:

Model	Description			
K-6972-2	With Black Handspray	<input type="checkbox"/> CP		
K-6973-2	With White Handspray	<input type="checkbox"/> CP	<input type="checkbox"/> PB	<input type="checkbox"/> Other_____

Optional Accessories				
K-9916		Small Handle Stone Insets, Pair		<input type="checkbox"/> Other_____
K-9924		Small Handle Metal Insets, Pair	<input type="checkbox"/> CP	<input type="checkbox"/> PB <input type="checkbox"/> Other_____
K-9927		Small Handle Ceramic Insets, Pair		<input type="checkbox"/> Other_____
K-9933		Small Handle Champleve Insets, Pair		<input type="checkbox"/> Other_____

PRODUCT SPECIFICATION:
Two-handle kitchen sink faucet shall be of brass construction. Faucet shall feature brass valve bodies. Faucet shall feature quarter-turn washerless ceramic disc valves, assuring positive handle stop positioning. Product shall include 8" centers, 9-1/2" swing spout, and square handles with matching brushed metal insets. Optional feature shall be black or white handspray. Faucet shall be Kohler Model K-_____-2-_____.

