

**FEATURES**

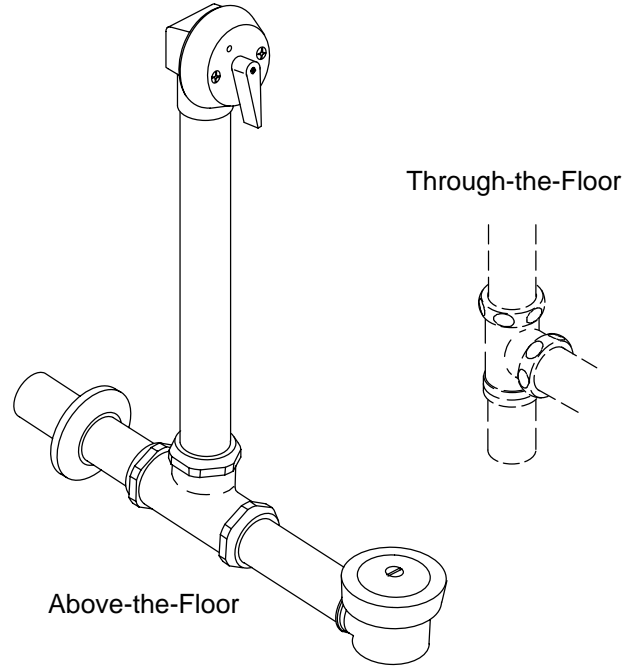
- 17 gauge brass
- Above- or through-the-floor installation options
- Adjustable trip lever pop-up drain
- 1-1/2" connection
- Brass tailpiece

**CODES/STANDARDS APPLICABLE**

Specified model meets or exceeds the following:

- ASME/ANSI A112.18.1M

**DRAIN**  
**K-7158**  
**ALSO K-7159, K-7178**



**COLORS/FINISHES**

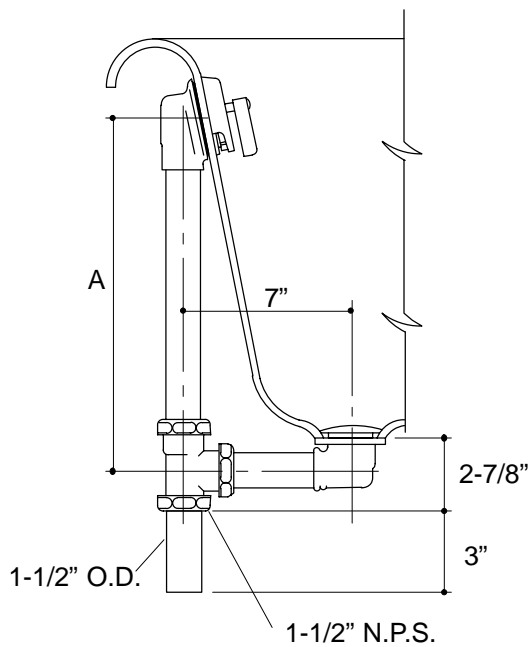
- CP Polished Chrome
- PB Polished Brass
- Other Refer to Faucets Price Book for additional finishes

**SPECIFIED MODEL:**

Model	Description			
K-7158	For Vintage Bath or Bath Whirlpool (Through-the-Floor)	<input type="checkbox"/> CP	<input type="checkbox"/> PB	<input type="checkbox"/> Other_____
K-7159	For Vintage Bath or Bath Whirlpool (Above-the-Floor)	<input type="checkbox"/> CP	<input type="checkbox"/> PB	<input type="checkbox"/> Other_____
K-7178	For Revival 5' Bath or Bath Whirlpool (Above- or Through-the-Floor)	<input type="checkbox"/> CP	<input type="checkbox"/> PB	<input type="checkbox"/> Other_____

**PRODUCT SPECIFICATION:**

Bath drain shall be of brass construction. Product includes an adjustable trip lever pop-up drain with 1-1/2" connection, and brass tailpiece. K-7158 is intended for Vintage bath or bath whirlpool through-the-floor installations. K-7159 is intended for Vintage bath or bath whirlpool above-the-floor installations. K-7178 is intended for Revival 5' bath or bath whirlpool above- or through-the-floor installations. Bath drain shall be Kohler Model K-\_\_\_\_\_-\_\_\_\_\_.



Roughing-In Notes	
	A
K-7158	17-1/4"
K-7159	17-1/4"
K-7178	15-3/4"

## PRODUCT DIAGRAM