

**INDUSTRIAL EXPOSED SHOWER
K-7254**

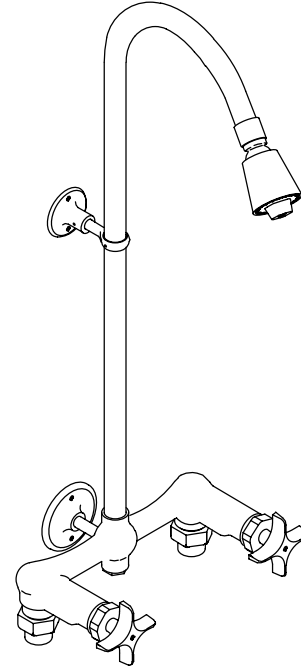
FEATURES

- Brass construction
- For 6" centers
- Brass valve bodies
- Valvet® valves
- Yoke reversible for either top or bottom supplies
- Four-arm handles
- Wall-mount brackets

CODES/STANDARDS APPLICABLE

Specified model meets or exceeds the following:

- ASME/ANSI A112.18.1M
- CSA B125
- IAPMO/UPC



COLORS/FINISHES

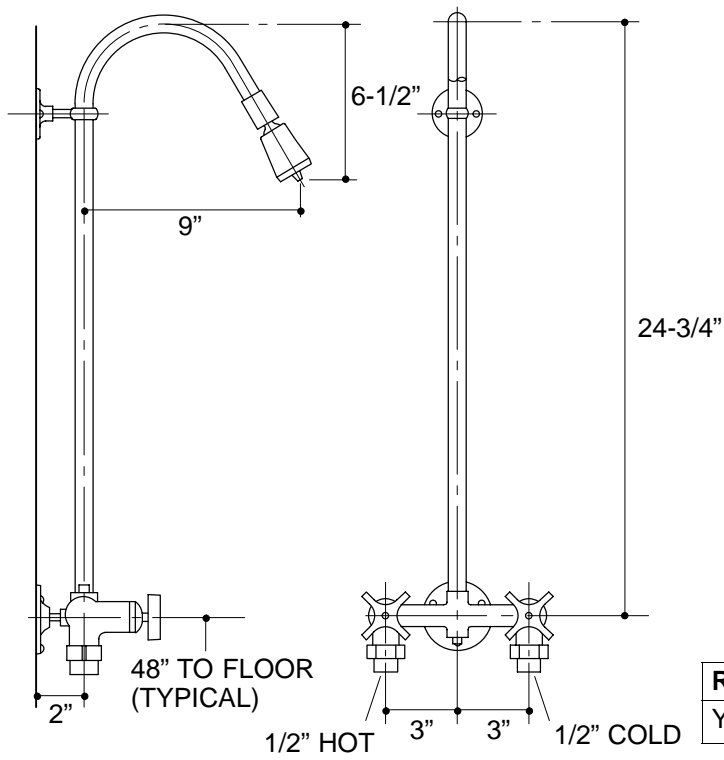
- CP Polished Chrome

SPECIFIED MODEL:

Model	Description	
K-7254	Industrial Exposed Shower	<input type="checkbox"/> CP

PRODUCT SPECIFICATION:

Two-handle industrial exposed shower shall be of brass construction. Faucet shall feature brass valve bodies. Faucet shall also feature Valvet valves. Product shall include 6" centers, showerhead, reversible yoke option for either top or bottom supplies, four-arm handles, and wall-mount brackets. Faucet shall be Kohler Model K-7254-CP.



<p>Roughing-In Notes</p> <p>Yoke reversible for either top or bottom supply.</p>

PRODUCT DIAGRAM