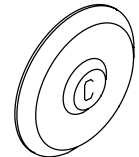


**SHELF-BACK LAVATORY FAUCET
K-7482**

FEATURES

- Brass construction
- For 6-1/2" centers
- Concealed self-closing valves
- Intended for Chardon™ lavatory installations
- Vandal-resistant
- Indexed push buttons



CODES/STANDARDS APPLICABLE

Specified model meets or exceeds the following:

- ASME/ANSI A112.18.1M
- CSA B125
- Energy Policy Act of 1992
- IAPMO/UPC



COLORS/FINISHES

- CP Polished Chrome

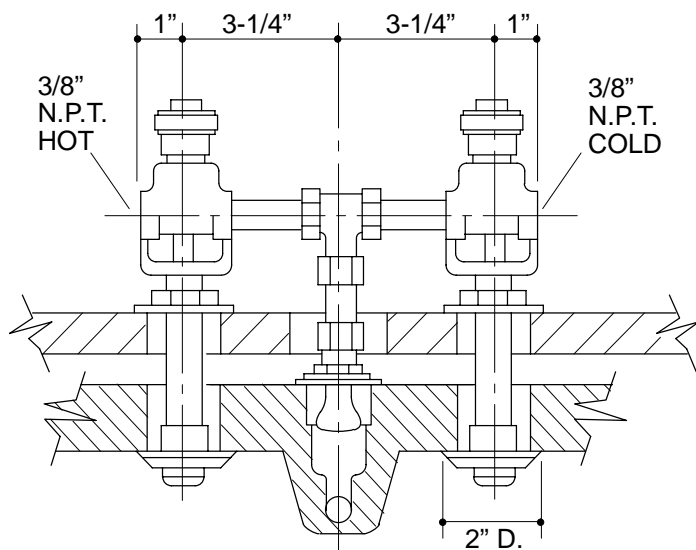
SPECIFIED MODEL:

Model	Wall Thickness:	
K-7482	1"	<input type="checkbox"/> CP
K-7482-A	2"	<input type="checkbox"/> CP
K-7482-B	3"	<input type="checkbox"/> CP
K-7482-C	4"	<input type="checkbox"/> CP
K-7482-D	5"	<input type="checkbox"/> CP
K-7482-E	6"	<input type="checkbox"/> CP
K-7482-F	7"	<input type="checkbox"/> CP
K-7482-G	8"	<input type="checkbox"/> CP
K-7482-H	9"	<input type="checkbox"/> CP
K-7482-I	10"	<input type="checkbox"/> CP
K-7482-L	11"	<input type="checkbox"/> CP
K-7482-J	12"	<input type="checkbox"/> CP

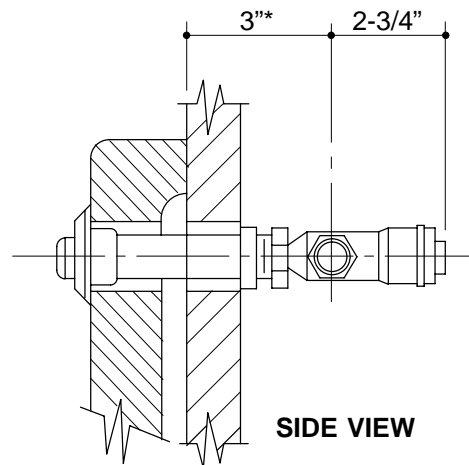
NOTE: For wall thicknesses greater than 12", contact your Kohler Branch Office for availability.

PRODUCT SPECIFICATION:

Shelf-back vandal-resistant lavatory faucet shall be of brass construction. Faucet shall feature concealed self-closing valves. Product is intended for Chardon lavatory installations. Faucet shall include 6-1/2" centers, indexed push buttons for hot and cold water, and N.P.T. connections. Faucet shall be Kohler Model K-7482-_____-CP.



TOP VIEW



SIDE VIEW

* SUPPLY FITTING REQUIRED FURNISHED FOR WALL NOT TO EXCEED 1" THICK. FOR THICKER WALL ADD 1" TO SUPPLY MEASUREMENT (3") FOR EVERY INCH OR FRACTION THEREOF.

PRODUCT DIAGRAM