

**FEATURES**

- Brass construction
- Compression valve
- Vertical metal tube with union connection
- Flange

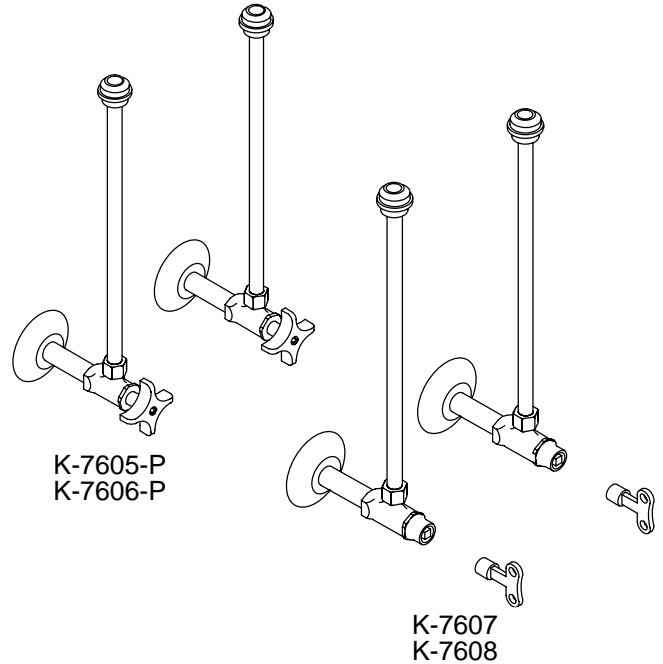
**CODES/STANDARDS APPLICABLE**

Specified model meets or exceeds the following:

- ASME/ANSI A112.18.1M
- IAPMO/UPC
- NSF 61

**ANGLE SUPPLY WITH STOP, PAIR**  
**K-7605-P**

**ALSO K-7606-P, K-7607, K-7608**



**COLORS/FINISHES**

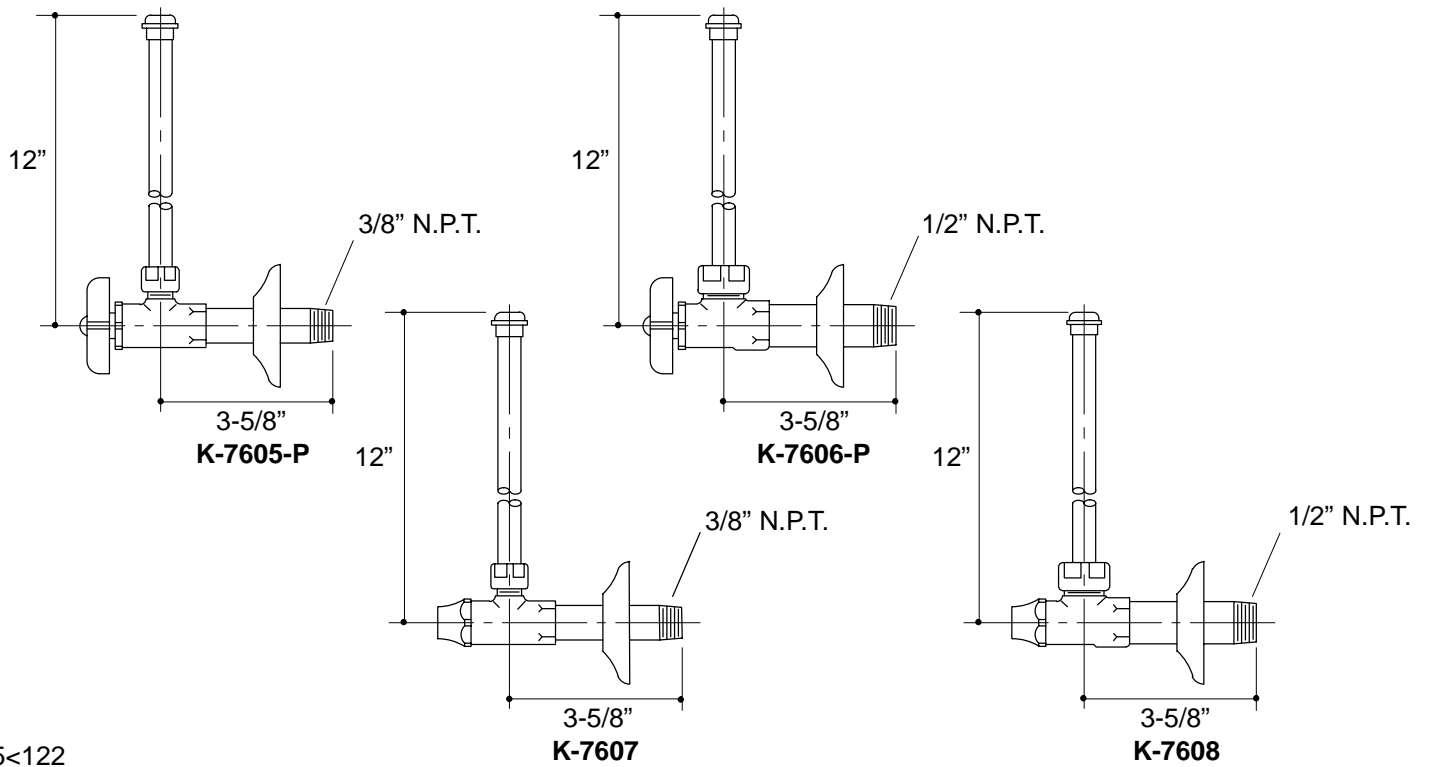
- CP Polished Chrome
- PB Polished Brass
- Other Refer to Faucets Price Book for additional finishes

**SPECIFIED MODEL:**

Model	Description			
K-7605-P	3/8" N.P.T. Connection and Four-Arm Handle Stop	<input type="checkbox"/> CP	<input type="checkbox"/> PB	<input type="checkbox"/> Other_____
K-7606-P	1/2" N.P.T. Connection and Four-Arm Handle Stop	<input type="checkbox"/> CP	<input type="checkbox"/> PB	
K-7607	3/8" N.P.T. Connection and Loose Key Stop	<input type="checkbox"/> CP		
K-7608	1/2" N.P.T. Connection and Loose Key Stop	<input type="checkbox"/> CP		

**PRODUCT SPECIFICATION:**

Angle supply with stop shall be of brass construction. Product shall include a compression valve, nipple, flange, and vertical metal supply tube with union connection. Optional features shall be four-arm handle or loose key stops, and 3/8" or 1/2" N.P.T. connections. Supply (pair) shall be Kohler Model K-\_\_\_\_\_-\_\_\_\_\_-\_\_\_\_\_.



.5<122

### PRODUCT DIAGRAM