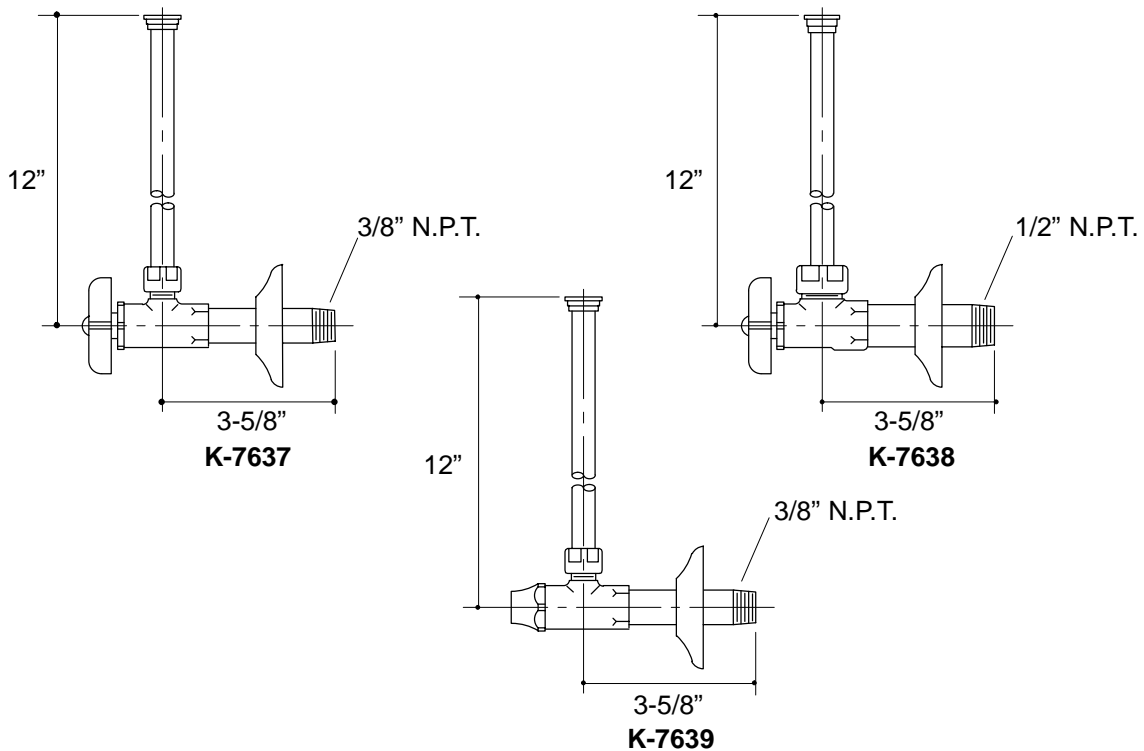


Ordering Information

Applicable angle supply:	
3/8" N.P.T. with four-arm handle stop, single	K-7637
1/2" N.P.T. with four-arm handle stop, single	K-7638
3/8" N.P.T. with loose key stop, single	K-7639



.5<122

K-7637, K-7638, K-7639 Angle Supply With Stop
115090-1-AA (9619)

NOTES: