

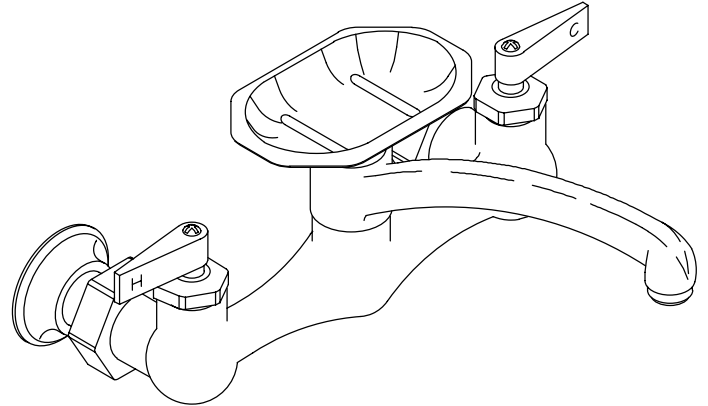
**FEATURES**

- Brass construction
- Brass valve bodies
- Valvet® valves
- Available with 8" or 12" spout
- Lever handles
- For 8" centers
- Optional soap dish

**CODES/STANDARDS APPLICABLE**

Specified model meets or exceeds the following:

- ASME/ANSI A112.18.1M
- CSA B125 (K-7855, K-7856)
- Energy Policy Act of 1992
- IAPMO/UPC (K-7855, K-7856)
- NSF 61



**COLORS/FINISHES**

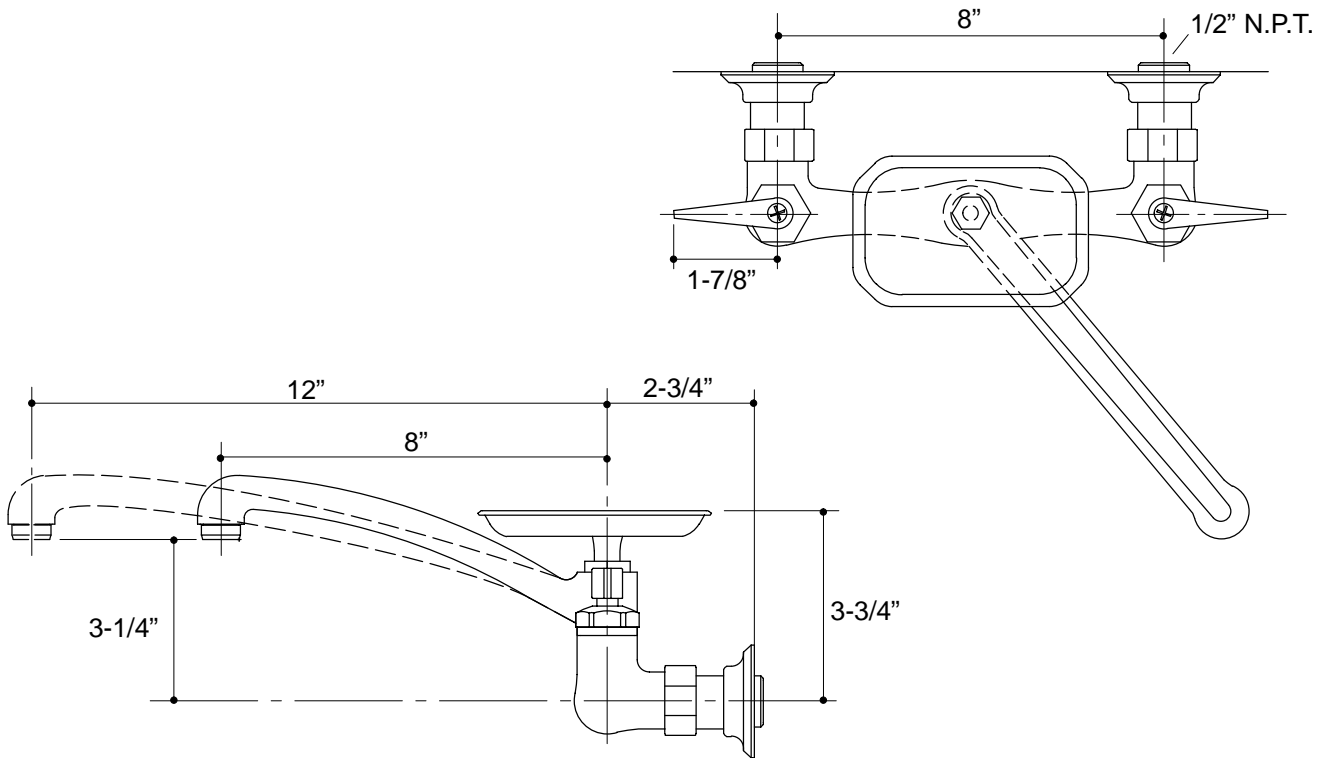
- CP Polished Chrome

**SPECIFIED MODEL:**

Model	Description	
K-7853	Less Soap Dish; With 8" Spout	<input type="checkbox"/> CP
K-7855	With Soap Dish and 8" Spout	<input type="checkbox"/> CP
K-7856	With Soap Dish and 12" Spout	<input type="checkbox"/> CP

**PRODUCT SPECIFICATION:**

Two-handle sink supply faucet shall be of brass construction. Faucet shall feature brass valve bodies. Faucet shall also feature Valvet valves, 8" centers, and lever handles. Optional features shall include 8" or 12" swing spout, and with or without soap dish. Faucet shall be Kohler Model K-\_\_\_\_\_--CP.



14

**PRODUCT DIAGRAM**