

**SINK FAUCET
K-7870
ALSO K-7871**

ADA

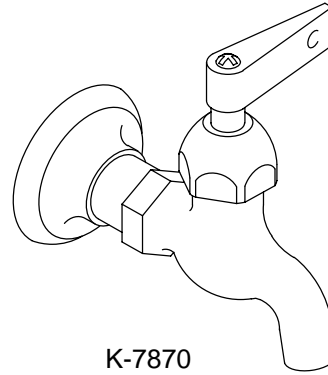
FEATURES

- Brass construction
- Brass valve body
- Valvet® valve
- 4-11/16" spout
- Available with plain spout or threaded spout for hose connection
- Lever handle
- Renewable seat
- Adjustable flange

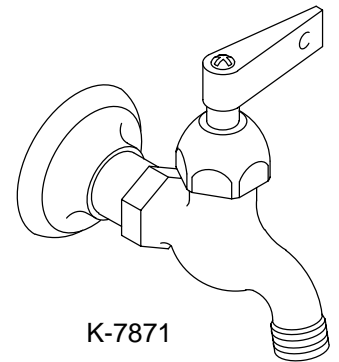
CODES/STANDARDS APPLICABLE

Specified model meets or exceeds the following:

- ASME/ANSI A112.18.1M
- IAPMO/UPC (K-7870)
- NSF 61 (K-7870)



K-7870



K-7871

COLORS/FINISHES

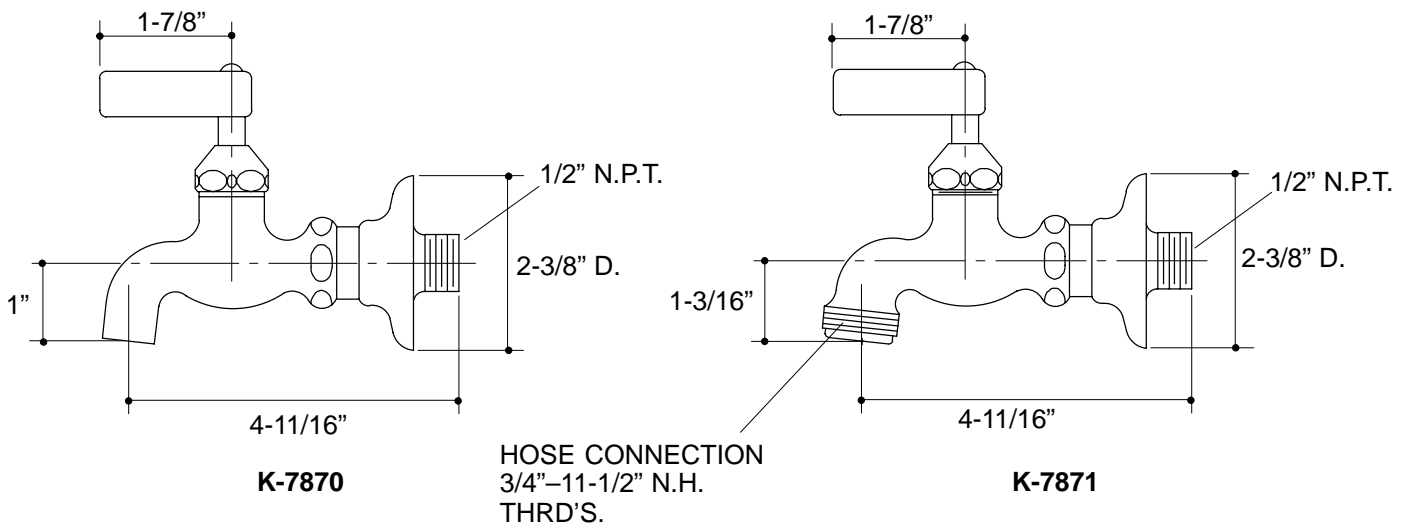
- CP Polished Chrome

SPECIFIED MODEL:

Model	Description	
K-7870-C	Cold; Plain Spout	<input type="checkbox"/> CP
K-7870-H	Hot; Plain Spout	<input type="checkbox"/> CP
K-7871-C	Cold; Threaded Spout	<input type="checkbox"/> CP
K-7871-H	Hot; Threaded Spout	<input type="checkbox"/> CP

PRODUCT SPECIFICATION:

Single-handle sink faucet shall be of brass construction. Faucet shall feature a brass valve body. Faucet shall also feature a Valvet valve. Product shall include 4-11/16" spout, lever handle, renewable seat, adjustable flange, and 1/2" N.P.T. connection. Optional features shall be hot or cold water faucet, and plain spout or threaded spout for hose connection. Sink faucet shall be Kohler Model K-_____-_____-CP.



PRODUCT DIAGRAM