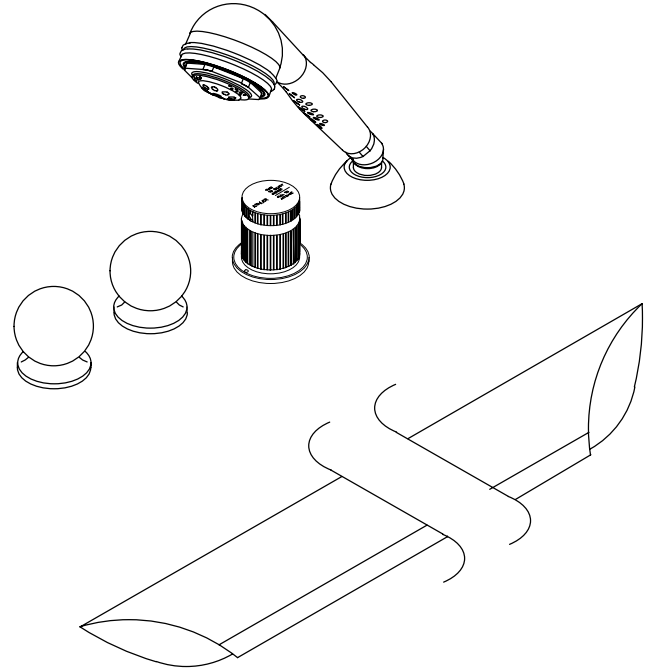


**SEAWALL BATH FAUCET
K-7923-8**

FEATURES

- Brass construction
- Deck-mount
- Brass valve bodies
- 3/4" quarter-turn washerless ceramic disc valves
- Intended for Seawall bath and whirlpool installations
- Below-the-rim spout
- Ball handles
- Three-way diverter valve/vacuum breaker
- MasterShower™ three-way handshower
- Wall-mount vacuum breaker



CODES/STANDARDS APPLICABLE

Specified model meets or exceeds the following:

- ASME/ANSI A112.18.1M
- IAPMO/UPC

COLORS/FINISHES

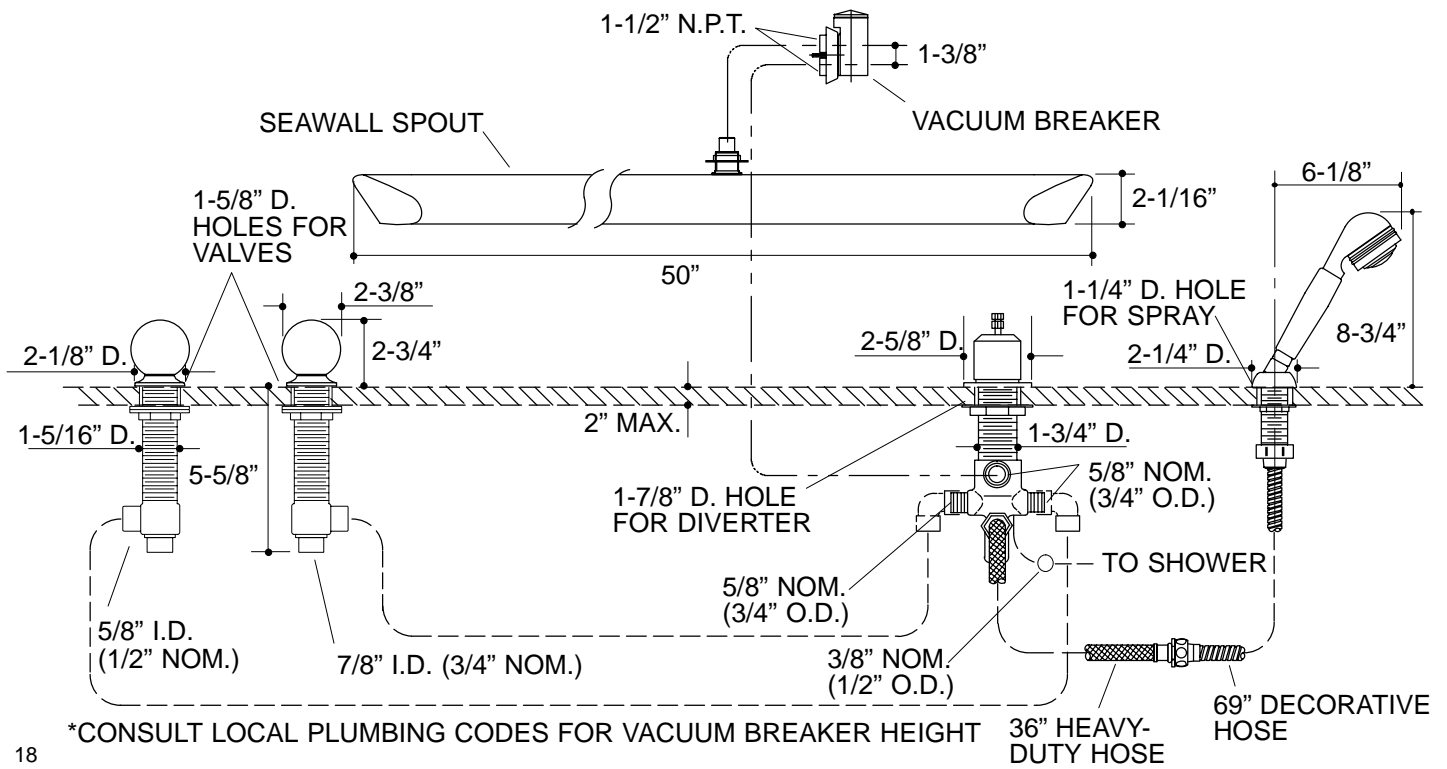
- CP Polished Chrome
- PB Polished Brass

SPECIFIED MODEL:

Model	Description	<input type="checkbox"/> CP	<input type="checkbox"/> PB
K-7923-8	Cirrus Seawall Deck-Mount Bath Faucet with Handshower	<input type="checkbox"/> CP	<input type="checkbox"/> PB

PRODUCT SPECIFICATION:

Two-handle deck-mount bath faucet shall be of brass construction. Faucet shall feature brass valve bodies. Faucet shall feature 3/4" quarter-turn washerless ceramic disc valves, assuring positive handle stop positioning. Product is intended for Seawall bath and whirlpool installations. Product shall include below-the-rim spout, ball handles, three-way diverter valve/vacuum breaker, MasterShower three-way handshower, and wall-mount vacuum breaker. Faucet shall be Kohler Model K-7923-8-_____.



PRODUCT DIAGRAM