

**FLUME™ BATH SPOUT  
K-7981  
ALSO K-7982**

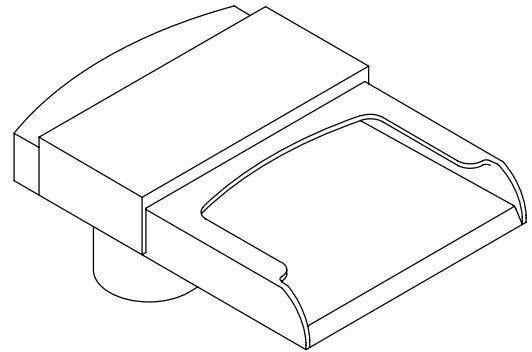
**FEATURES**

- Brass construction
- Bath- or deck-mount
- 6-1/2" or 8-1/2" Flume non-diverter spout with slip-fit connection
- Provides a sheetflow of water

**CODES/STANDARDS APPLICABLE**

Specified model meets or exceeds the following:

- ASME/ANSI A112.18.1M
- CSA B125 (K-7981)



**COLORS/FINISHES**

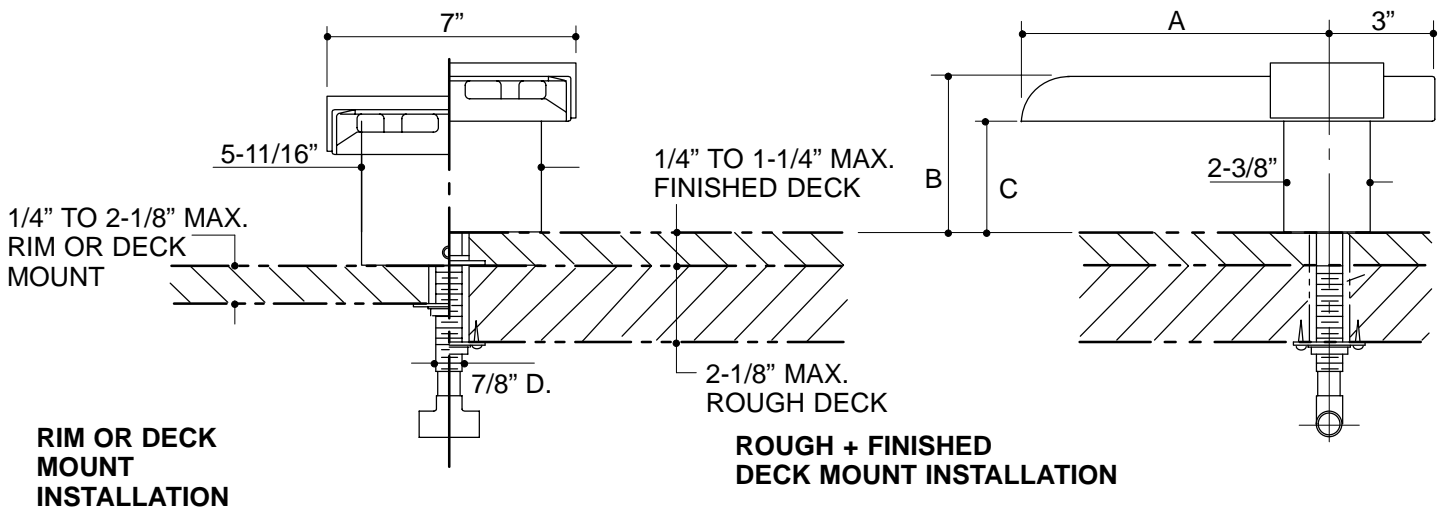
- CP Polished Chrome
- PB Polished Brass

**SPECIFIED MODEL:**

Model	Description		
K-7981	Alterna 6-1/2" Flume Non-Diverter Bath Spout	<input type="checkbox"/> CP	<input type="checkbox"/> PB
K-7982	Alterna 8-1/2" Flume Non-Diverter Bath Spout	<input type="checkbox"/> CP	<input type="checkbox"/> PB

**PRODUCT SPECIFICATION:**

Bath- or deck-mount bath spout shall be of brass construction. Product shall feature 6-1/2" or 8-1/2" Flume non-diverter spout with N.P.T. connection, which provides a sheetflow of water. Spout shall be Kohler Model K-\_\_\_\_-\_\_\_\_.



Roughing-In Notes			
	A	B	C
K-7981	6-1/2"	3-5/8"	2-1/16"
K-7982	8-1/2"	4-5/16"	3-1/16"

316

## PRODUCT DIAGRAM