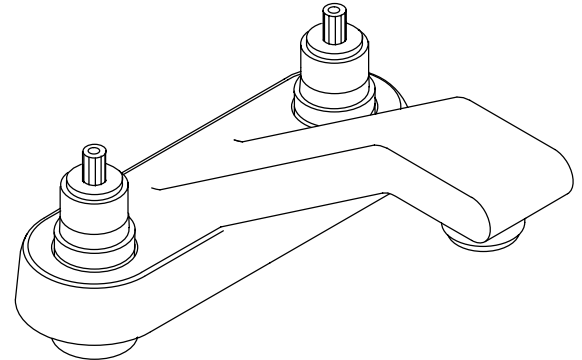


**LAVATORY BASE FAUCET
K-8202-K**

FEATURES

- Brass construction
- For 4" centers
- Brass valve bodies
- Quarter-turn washerless ceramic disc valves
- 4-1/2" spout
- Vandal-resistant aerator
- 2.0 gallons per minute
- Available with vandal-resistant lever or T-handles



CODES/STANDARDS APPLICABLE

Specified model meets or exceeds the following:



- ASME/ANSI A112.18.1M
- Energy Policy Act of 1992
- IAPMO/UPC
- NSF 61

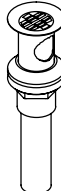
COLORS/FINISHES

- CP Polished Chrome

SPECIFIED MODEL: For complete faucet, both base faucet and handle choice must be specified.

Model	Description	
K-8202-K	Taboret Centerset Lavatory Base Faucet	<input type="checkbox"/> CP

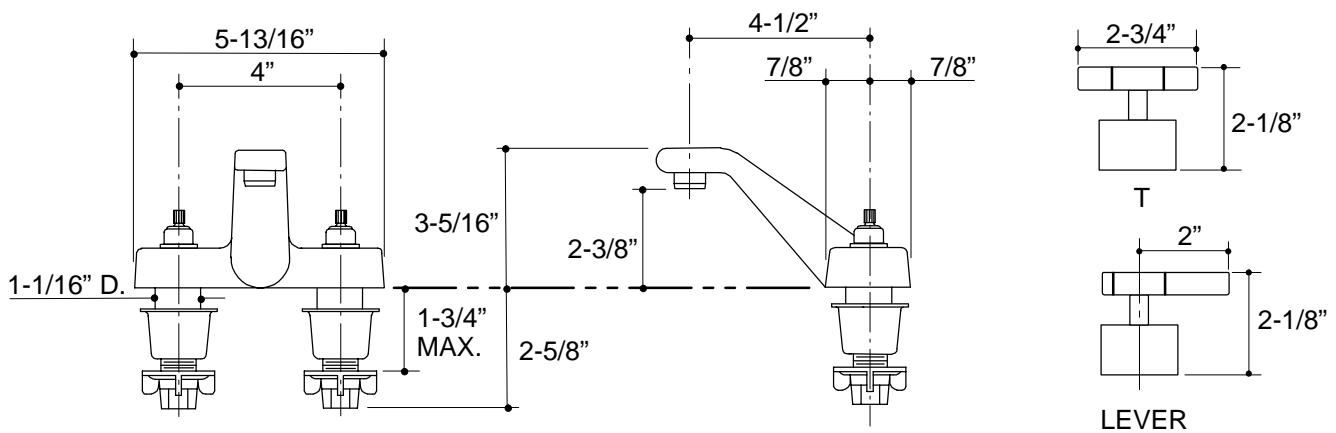
Required Accessory (Includes Two Handles)		 ADA	 ADA
K-16070-4C	Vandal-Resistant Lever Handles and Aerator	<input type="checkbox"/> CP	
K-16070-6C	Vandal-Resistant T-Handles and Aerator		<input type="checkbox"/> CP

Optional Accessory			
K-7715	Grid Drain	<input type="checkbox"/> CP	<input type="checkbox"/> PB

PRODUCT SPECIFICATION:

Two-handle centerset lavatory base faucet shall be of brass construction. Faucet shall feature brass valve bodies. Faucet shall feature quarter-turn washerless ceramic disc valves, assuring positive handle stop positioning. Product shall be less drain. Product shall include 4" centers, 4-1/2" spout, and vandal resistant aerator. Faucet shall be Kohler Model K-8202-K-CP and vandal-resistant handles shall be Kohler Model K-16070-____-CP.

TABORET®



.9<14

PRODUCT DIAGRAM