

**LAVATORY BASE FAUCET
K-8212-K**

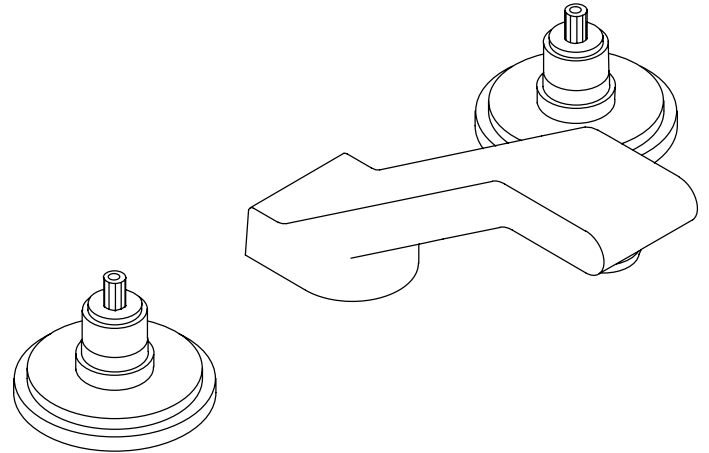
FEATURES

- Brass construction
- Flexible connections
- Brass valve bodies
- Quarter-turn washerless ceramic disc valves
- 5-3/8" spout
- Vandal-resistant aerator
- 2.0 gallons per minute
- Available with vandal-resistant lever or T-handles

CODES/STANDARDS APPLICABLE

Specified model meets or exceeds the following:

- ASME/ANSI A112.18.1M
- CSA B125
- Energy Policy Act of 1992
- NSF 61





COLORS/FINISHES

- CP Polished Chrome

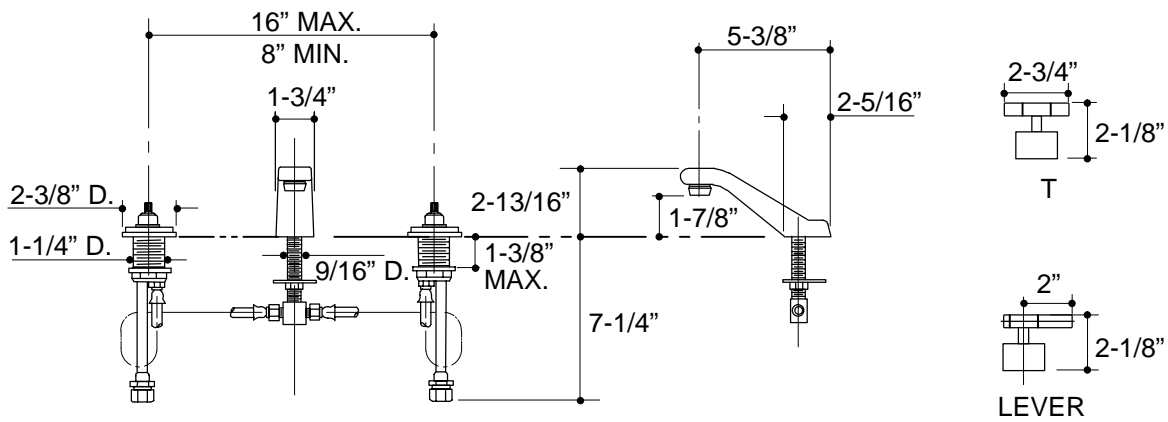
SPECIFIED MODEL: For complete faucet, both base faucet and handle choice must be specified.

Model	Description	
K-8212-K	Taboret Widespread Lavatory Base Faucet	<input type="checkbox"/> CP

Required Accessory (Includes Two Handles)		 ADA	 ADA
K-16070-4C Vandal-Resistant Lever Handles and Aerator	<input type="checkbox"/> CP		
K-16070-6C Vandal-Resistant T-Handles and Aerator			<input type="checkbox"/> CP

PRODUCT SPECIFICATION:

Two-handle widespread lavatory base faucet shall be of brass construction. Faucet shall feature brass valve bodies. Faucet shall feature quarter-turn washerless ceramic disc valves, assuring positive handle stop positioning. Product shall be less drain. Product shall include flexible connections, 5-3/8" spout, and vandal-resistant aerator. Faucet shall be Kohler Model K-8212-K-CP and vandal-resistant handles shall be Kohler Model K-16070-_____-CP.



PRODUCT DIAGRAM