

**SERVICE SINK FAUCET
K-8904**

ADA

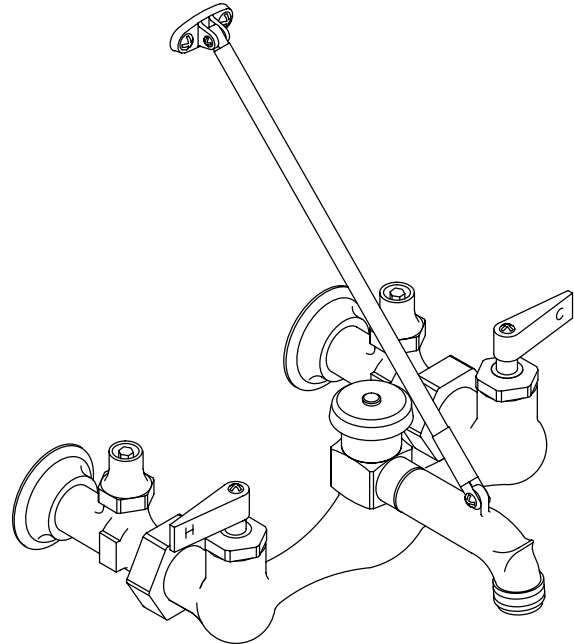
FEATURES

- Brass construction
- For 8" centers
- Brass valve bodies
- Valvet® valves
- 5-3/4" threaded spout for hose connection
- 9-3/4" wall-to-spout outlet
- Lever handles
- Vacuum breaker
- Wall brace
- Loose key stops in shanks
- Pail hook

CODES/STANDARDS APPLICABLE

Specified model meets or exceeds the following:

- ASME/ANSI A112.18.1M
- Canadian Standards Association (CSA)
- Energy Policy Act of 1992
- IAPMO/UPC
- NSF 14



COLORS/FINISHES

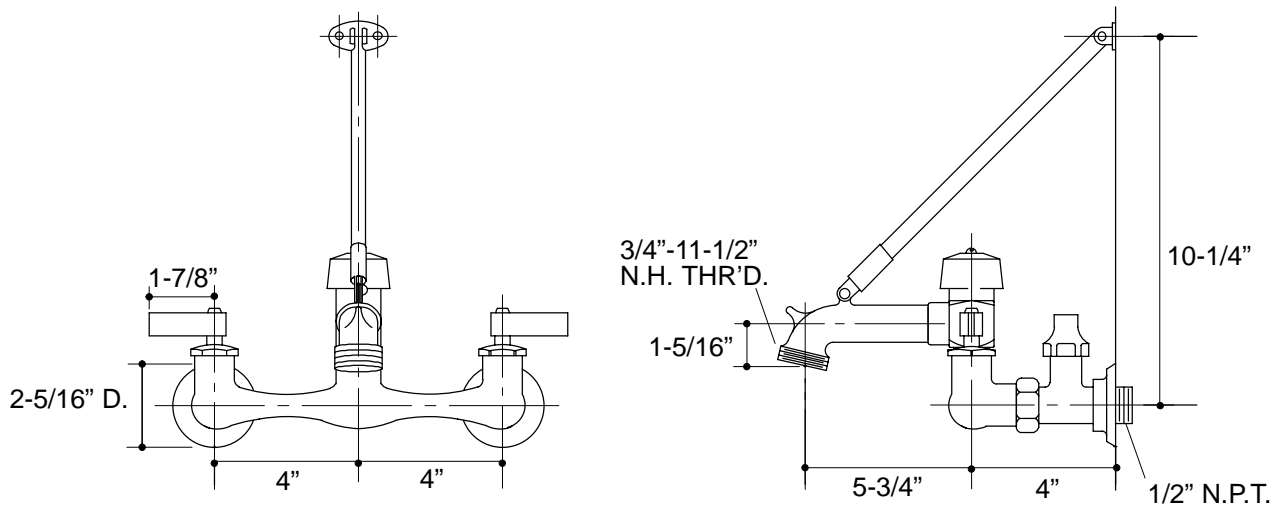
- CP Polished Chrome
- RP Rough Plate

SPECIFIED MODEL:

Model	Description	<input type="checkbox"/> CP	<input type="checkbox"/> RP
K-8904	Knoxford Service Sink Strainer	<input type="checkbox"/>	<input type="checkbox"/>

PRODUCT SPECIFICATION:

Two-handle service sink faucet shall be of brass construction. Faucet shall feature brass valve bodies. Faucet shall also feature Valvet valves. Product shall include 8" centers, 5-3/4" threaded spout for hose connection, 9-3/4" wall-to-spout outlet, lever handles, vacuum breaker, wall brace, loose key stops in shanks, pail hook, and N.P.T. connections. Faucet shall be Kohler Model K-8904-_____.



316

PRODUCT DIAGRAM