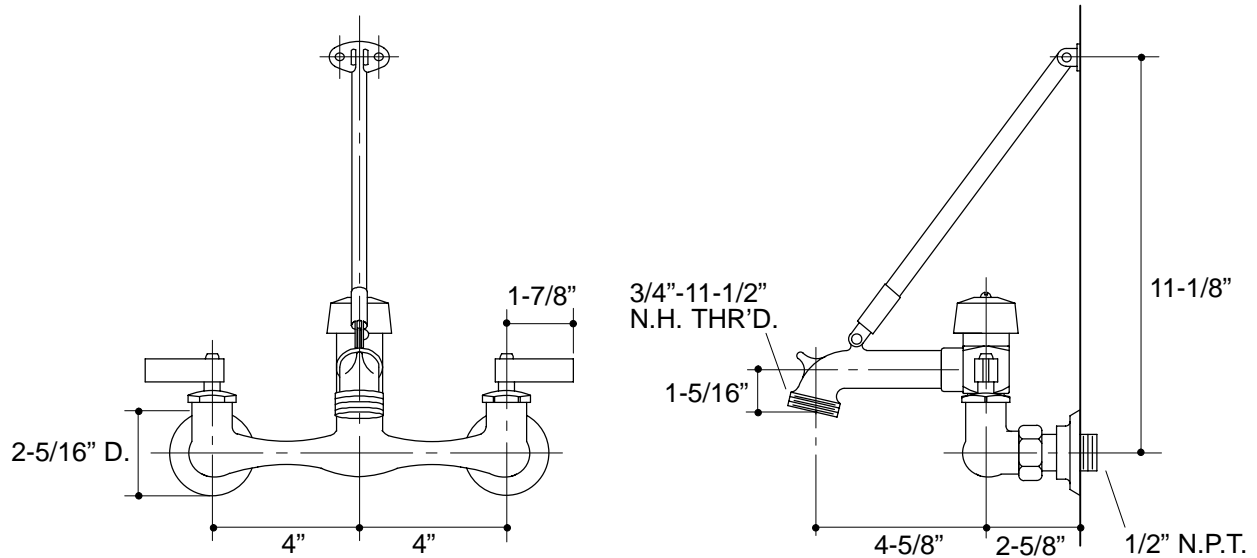


**Ordering Information**

Applicable faucet:	
Kinlock Service Sink Faucet	K-8907
<b>ADA</b> Lever handles are ADA compliant	



316

**K-8907** Kinlock™ Service Sink Faucet  
115164-1-BA (-)

**NOTES:**