
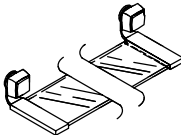
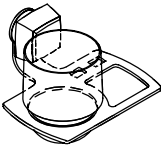
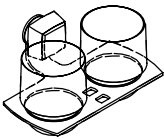
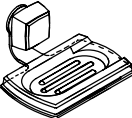




FEATURES


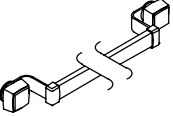
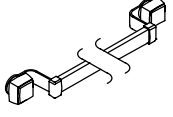
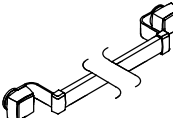

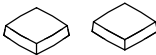
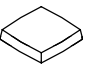
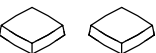

- Brass construction
- Modern to contemporary styling
- Variety of insets available for customizing
- Completes Alterna faucet line

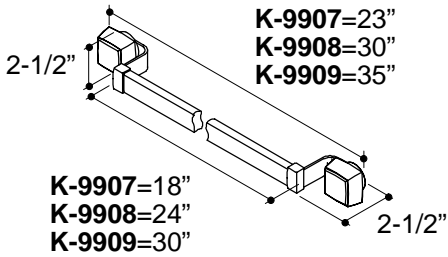
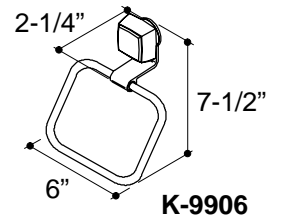
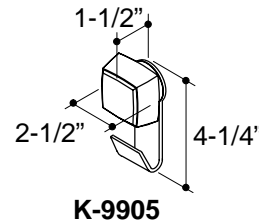
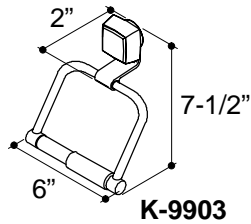
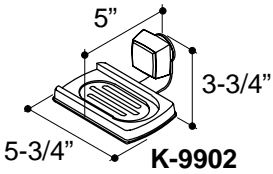
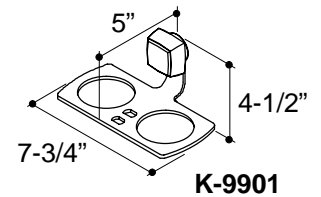
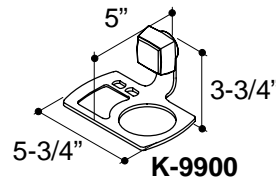
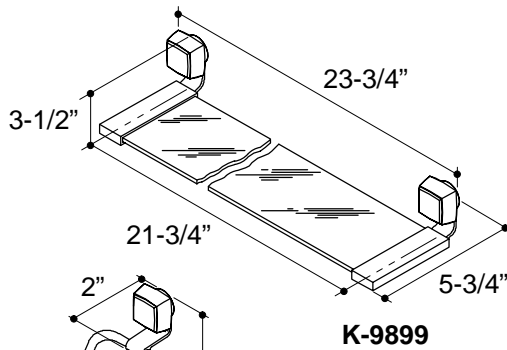
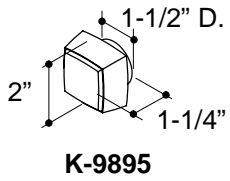
SPECIFIED MODEL:

Model/Description	
K-9895 Alterna Accessories Trim Kit, Single; includes inset in contrasting finish <input type="checkbox"/> CP <input type="checkbox"/> PB <input type="checkbox"/> Other_____	
K-9899 Alterna Glass Shelf (Requires two K-9895 trim kits, shown) <input type="checkbox"/> CP <input type="checkbox"/> PB <input type="checkbox"/> Other_____	
K-9900 Alterna Tumbler and Toothbrush Holder; includes glass tumbler (Requires one K-9895 trim kit, shown) <input type="checkbox"/> CP <input type="checkbox"/> PB <input type="checkbox"/> Other_____	
K-9901 Alterna Double Tumbler and Toothbrush Holder; includes two glass tumblers (Requires one K-9895 trim kit, shown) <input type="checkbox"/> CP <input type="checkbox"/> PB <input type="checkbox"/> Other_____	
K-9902 Alterna Soap Dish and Holder; includes removable glass dish (Requires one K-9895 trim kit, shown) <input type="checkbox"/> CP <input type="checkbox"/> PB <input type="checkbox"/> Other_____	
K-9903 Alterna Toilet Tissue Holder (Requires one K-9895 trim kit, shown) <input type="checkbox"/> CP <input type="checkbox"/> PB <input type="checkbox"/> Other_____	
K-9905 Alterna Robe Hook (Requires one K-9895 trim kit, shown) <input type="checkbox"/> CP <input type="checkbox"/> PB <input type="checkbox"/> Other_____	

COLORS/FINISHES

- CP Polished Chrome
- PB Polished Brass
- Other Refer to Faucets Price Book for additional finishes

Model/Description	
K-9906 Alterna Towel Ring (Requires one K-9895 trim kit, shown) <input type="checkbox"/> CP <input type="checkbox"/> PB <input type="checkbox"/> Other_____	
K-9907 Alterna 18" Towel Bar (Requires two K-9895 trim kits, shown)	
K-9908 Alterna 24" Towel Bar (Requires two K-9895 trim kits, shown)	
K-9909 Alterna 30" Towel Bar (Requires two K-9895 trim kits, shown) <input type="checkbox"/> CP <input type="checkbox"/> PB <input type="checkbox"/> Other_____	
K-9916 Small Handle Stone Insets, Pair <input type="checkbox"/> Other_____	
K-9924 Small Handle Metal Insets, Pair <input type="checkbox"/> CP <input type="checkbox"/> PB <input type="checkbox"/> Other_____	
K-9926 Large Handle Ceramic Inset, Single <input type="checkbox"/> Other_____	
K-9927 Small Handle Ceramic Insets, Pair <input type="checkbox"/> Other_____	
K-9933 Small Handle Champeve Insets, Pair <input type="checkbox"/> Other_____	



PRODUCT DIAGRAM