

**SHOWER FAUCET
K-11730**

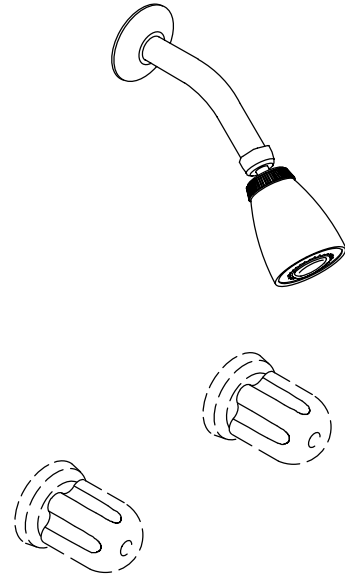
FEATURES

- Brass construction
- Brass valve bodies
- Compression valves
- Adjustable escutcheons
- Available with metal or sculptured acrylic handles

CODES/STANDARDS APPLICABLE

Specified model meets or exceeds the following:


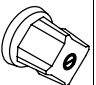
- ASME/ANSI A112.18.1M
- CSA B125
- IAPMO/UPC



COLORS/FINISHES

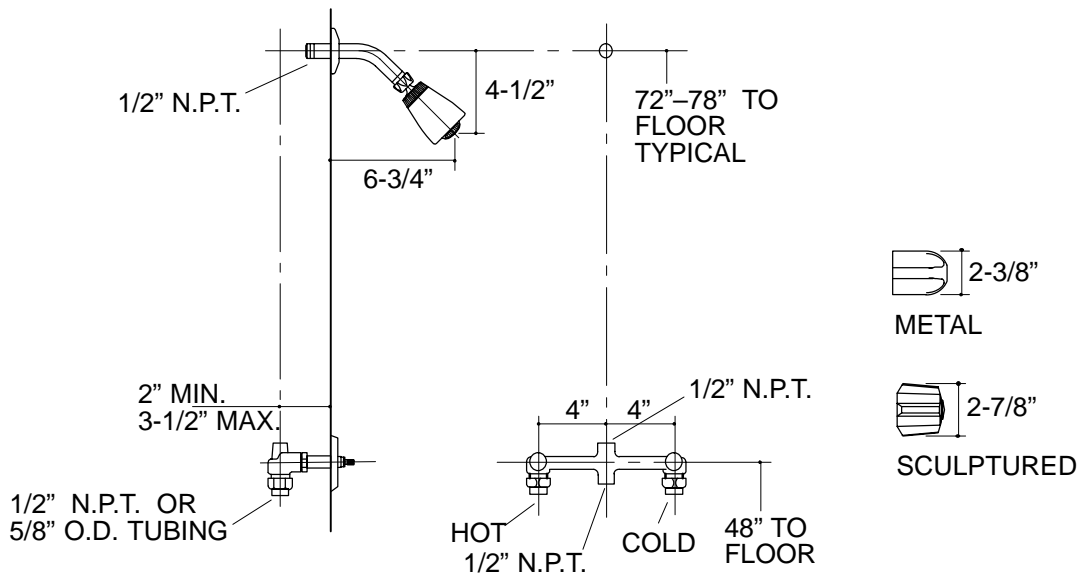
- CP Polished Chrome

SPECIFIED MODEL:

Model	Description		
K-11730-U	Metal Handles, N.P.T. Union Connections	<input type="checkbox"/> CP	
K-11730-UC	Metal Handles, Direct Sweat Union Connections	<input type="checkbox"/> CP	
K-11730-UD	Metal Handles, Direct Sweat Inlets	<input type="checkbox"/> CP	
K-11730-P	Sculptured Acrylic Handles, N.P.T. Union Connections		<input type="checkbox"/> CP
K-11730-PC	Sculptured Acrylic Handles, Direct Sweat Union Connections		<input type="checkbox"/> CP
K-11730-PD	Sculptured Acrylic Handles, Direct Sweat Inlets		<input type="checkbox"/> CP

PRODUCT SPECIFICATION:

Two-handle shower faucet shall be of brass construction. Faucet shall feature brass valve bodies. Faucet shall also feature compression valves. Product shall include showerhead with arm and flange, adjustable escutcheons, and metal or sculptured acrylic handles. Optional features shall be N.P.T. or direct sweat connections. Faucet shall be Kohler Model K-11730-____-CP.



332

PRODUCT DIAGRAM