

**VACUUM BREAKER
K-13056**

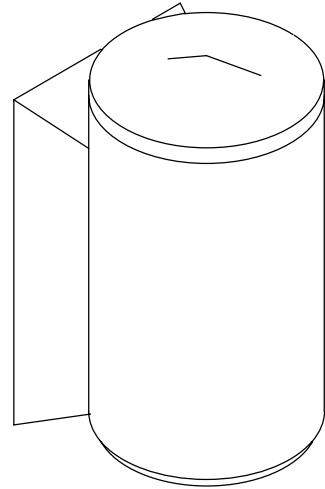
FEATURES

- Brass construction
- Wall connections
- Wall flange

CODES/STANDARDS APPLICABLE

Specified model meets or exceeds the following:

- ASME/ANSI A112.18.1M
- ASSE 1001
- CSA B125
- Listed in the State of Michigan



COLORS/FINISHES

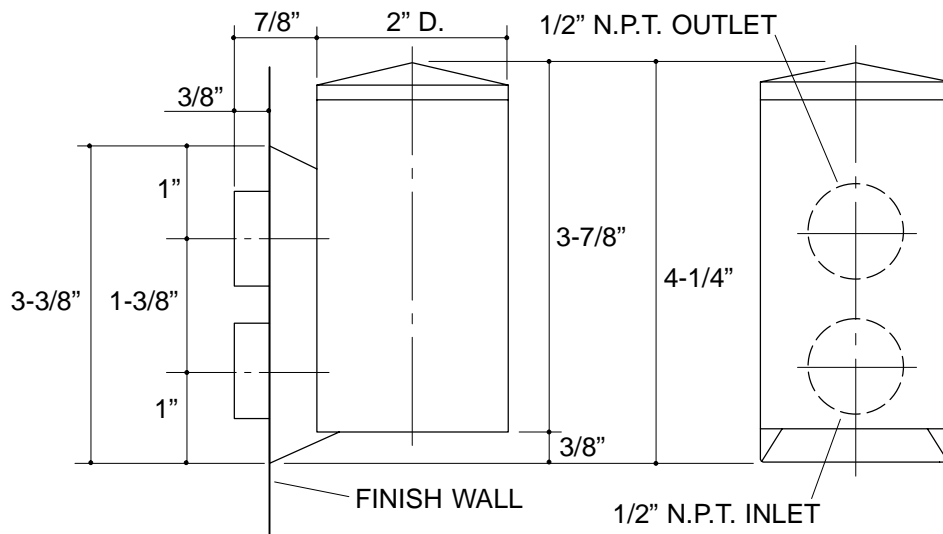
- CP Polished Chrome
- PB Polished Brass
- Other Refer to Faucets Price Book for additional finishes

SPECIFIED MODEL:

Model	Description			
K-13056	Vacuum Breaker	<input type="checkbox"/> CP	<input type="checkbox"/> PB	<input type="checkbox"/> Other_____

PRODUCT SPECIFICATION:

Vacuum breaker shall be of brass construction. Product shall include wall connections and flange. Vacuum breaker shall be Kohler Model K-13056-_____.



*CONSULT LOCAL CODES FOR VACUUM BREAKER HEIGHT.

PRODUCT DIAGRAM