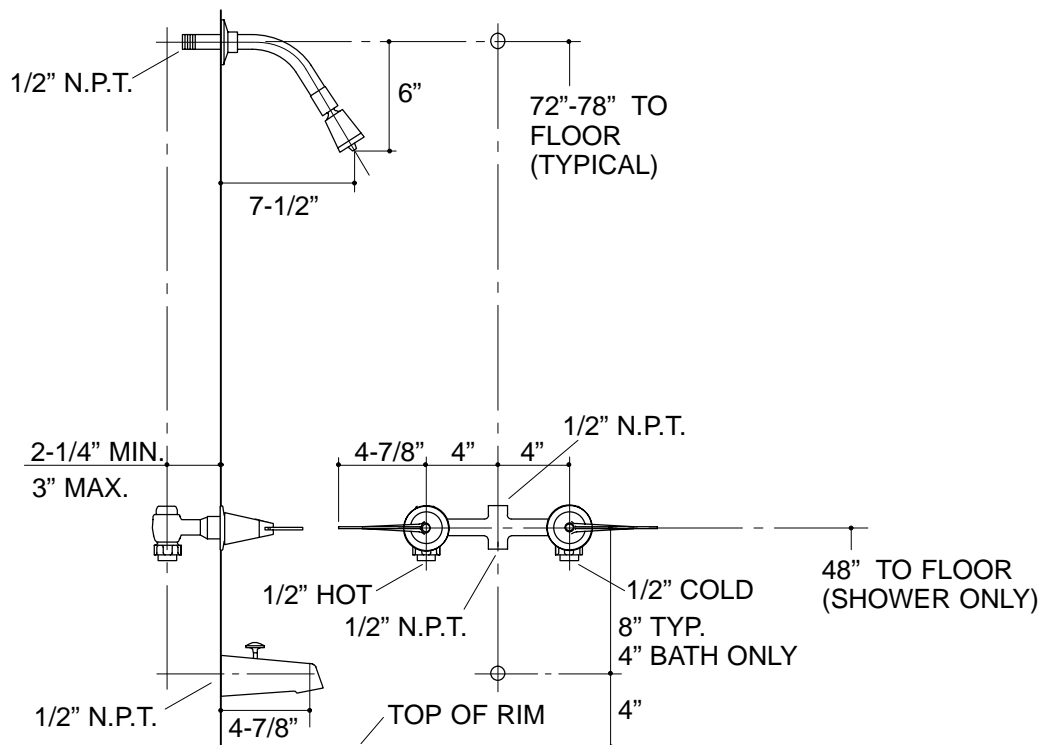


Ordering Information

Applicable faucet trim only:		
Valve*	K-T13353-5	
Bath and shower*	K-T13362-5	
Shower*	K-T13363-5	
*Valve K-302-K must be ordered to complete faucet.		
Applicable valve system only:		
1/2" valve system	K-302-K-NA	required**
ADA Lever handles are ADA compliant		
**Required for configuration illustrated.		



332

K-T13353-5, K-T13362-5, K-T13363-5, K-302-K Finesse™ Bath and Shower Faucet
115232-1-AA (9619)

KOHLER®

NOTES: