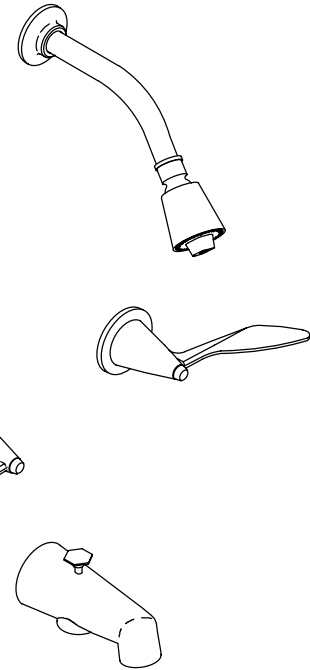


FEATURES

- Brass construction
- For 8" centers
- Wrist control lever handles

BATH AND SHOWER FAUCET TRIM
K-T13362-5
ALSO K-T13353-5, K-T13363-5, K-302-K

ADA



CODES/STANDARDS APPLICABLE

Specified model meets or exceeds the following:

- ASME/ANSI A112.18.1M
- CSA B125
- IAPMO/UPC

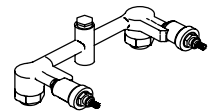
COLORS/FINISHES

- CP Polished Chrome
- PB Polished Brass

SPECIFIED MODEL: For complete faucet, both faucet trim and valve system must be specified.

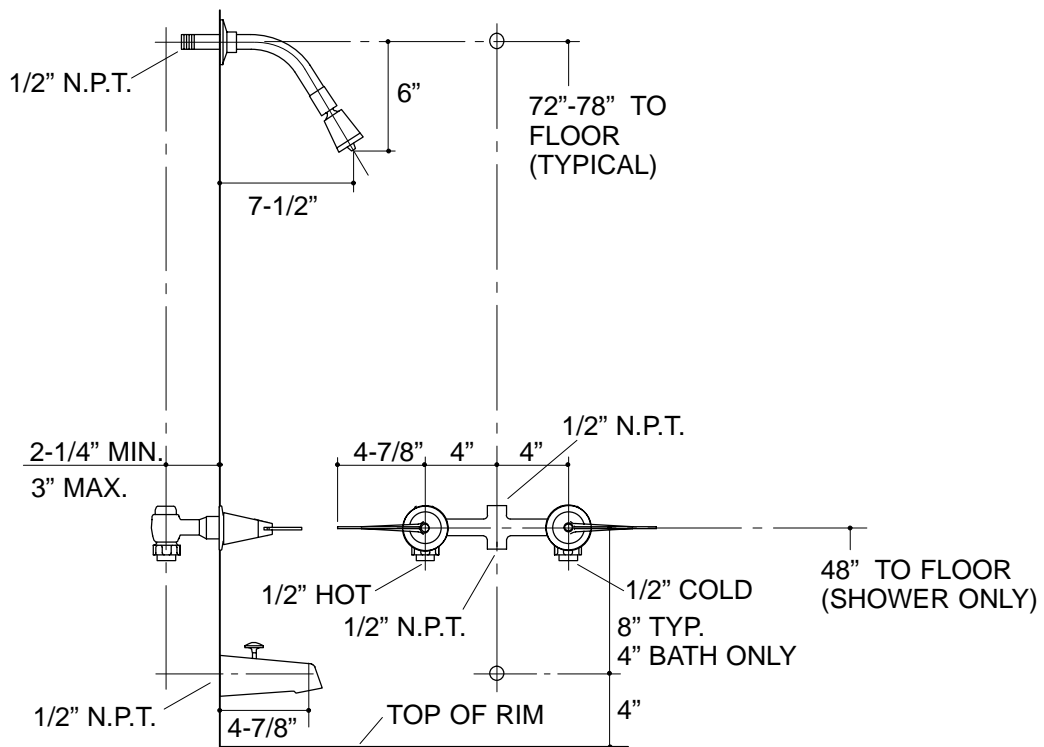
Model	Description		
K-T13353-5	Valve Only Trim	<input type="checkbox"/> CP	<input type="checkbox"/> PB
K-T13362-5	Bath and Shower Faucet Trim	<input type="checkbox"/> CP	<input type="checkbox"/> PB
K-T13363-5	Shower Only Trim	<input type="checkbox"/> CP	<input type="checkbox"/> PB

Required Accessory		
K-302-K	2-Handle 1/2" Ceramic Disc Valve System	<input type="checkbox"/> NA



PRODUCT SPECIFICATION:

Two-handle bath and shower faucet trim shall be of brass construction. Bath and shower trim shall include showerhead with arm and flange, 4-7/8" diverter spout with N.P.T. connection, and wrist control lever handles. Shower only trim shall include showerhead with arm and flange, and wrist control lever handles. Valve only trim shall include wrist control lever handles. Faucet trim shall be Kohler Model K-T_____5-_____ and valve system shall be Kohler Model K-302-K-NA.



332

PRODUCT DIAGRAM