

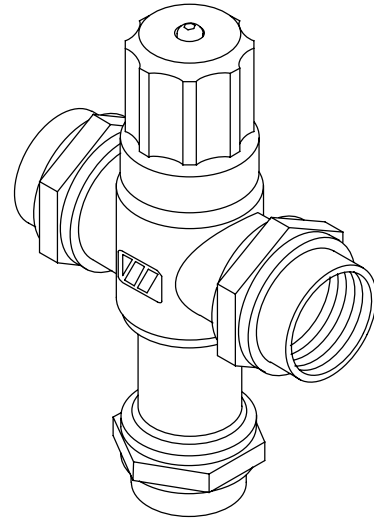
THERMOSTATIC MIXING VALVE
K-13601**FEATURES**

- *Brass construction*
- *Maximum 21 GPM at 48 PSI*
- *Mixes hot and cold water allowing for wide range of temperature selections or fixed setting*

CODES/STANDARDS APPLICABLE

Specified model meets or exceeds the following:

- *ASME/ANSI A112.18.1M*
- *NSF 14*
- *ASSE/ANSI 1016*

**COLORS/FINISHES**

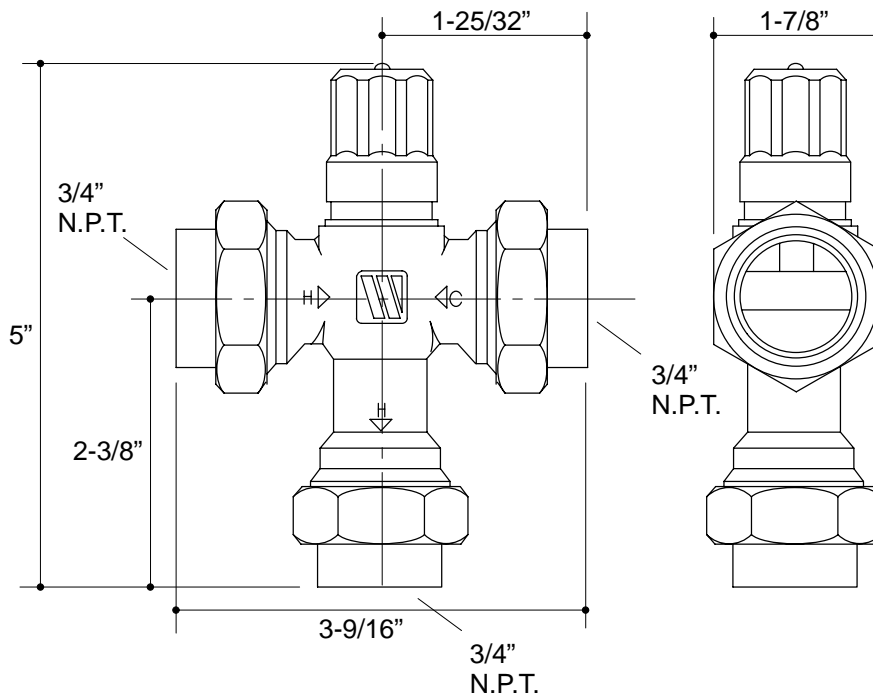
- NA Not applicable

SPECIFIED MODEL:

Model	Description	
K-13601	Thermostatic Mixing Valve	<input type="checkbox"/> NA

PRODUCT SPECIFICATION:

Thermostatic mixing valve shall be of brass construction. Product shall have a maximum of 21 GPM at 48 PSI. Product shall mix hot and cold water, allowing for a wide range of temperature selections or fixed setting. Valve shall be Kohler Model K-13601-NA.



PRODUCT DIAGRAM