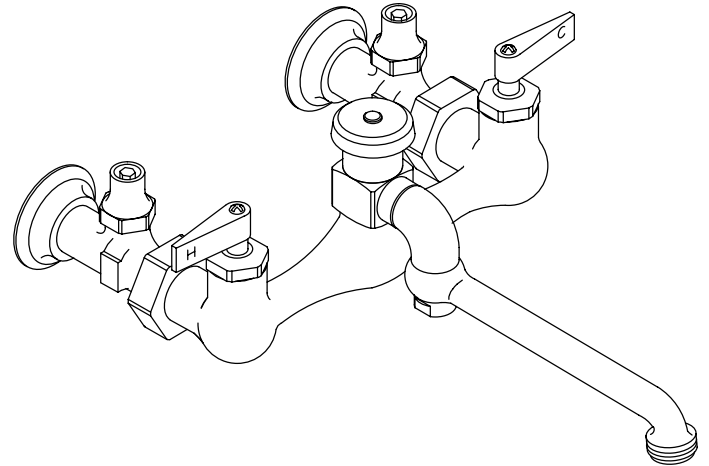


**SERVICE SINK FAUCET
K-13624**

ADA

FEATURES

- Brass construction
- For 8" centers
- Brass valve bodies
- Valvet® valves
- 7" swing spout threaded for hose connection
- 13" wall-to-spout outlet
- Lever handles
- Loose key stops
- Adjustable flanges
- Vacuum breaker



CODES/STANDARDS APPLICABLE

Specified model meets or exceeds the following:

- ASME/ANSI A112.18.1M
- IAPMO/UPC

COLORS/FINISHES

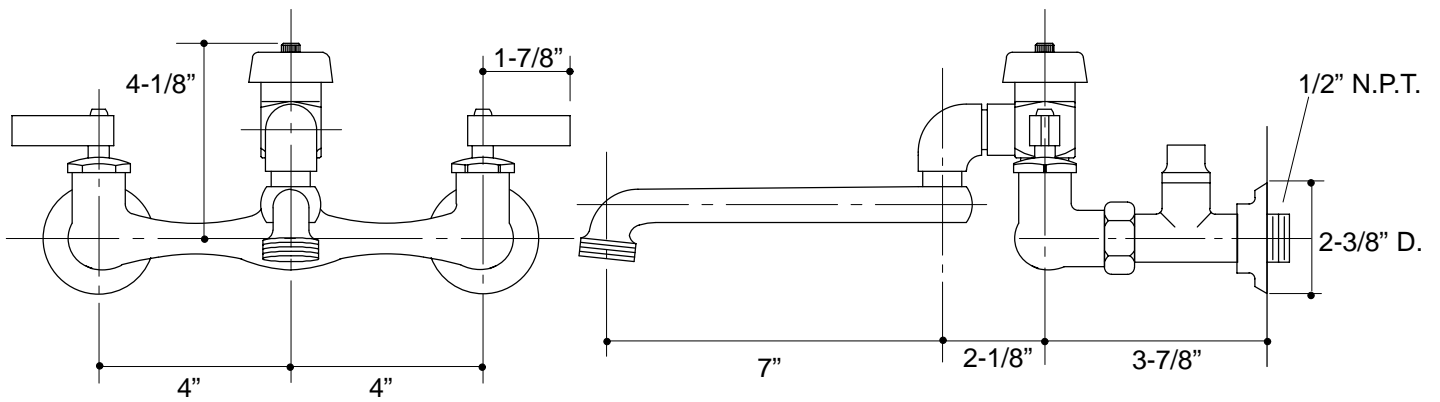
- CP Polished Chrome

SPECIFIED MODEL:

Model	Description	
K-13624	Service Sink Faucet	<input type="checkbox"/> CP

PRODUCT SPECIFICATION:

Two-handle service sink faucet shall be of brass construction. Faucet shall feature brass valve bodies. Faucet shall also feature Valvet valves. Product shall include 8" centers, 7" swing spout threaded for hose connection, 13" wall-to-spout outlet, lever handles, loose key stops, adjustable flanges, vacuum breaker, and internal N.P.T. connections. Faucet shall be Kohler Model K-13624-CP.



PRODUCT DIAGRAM