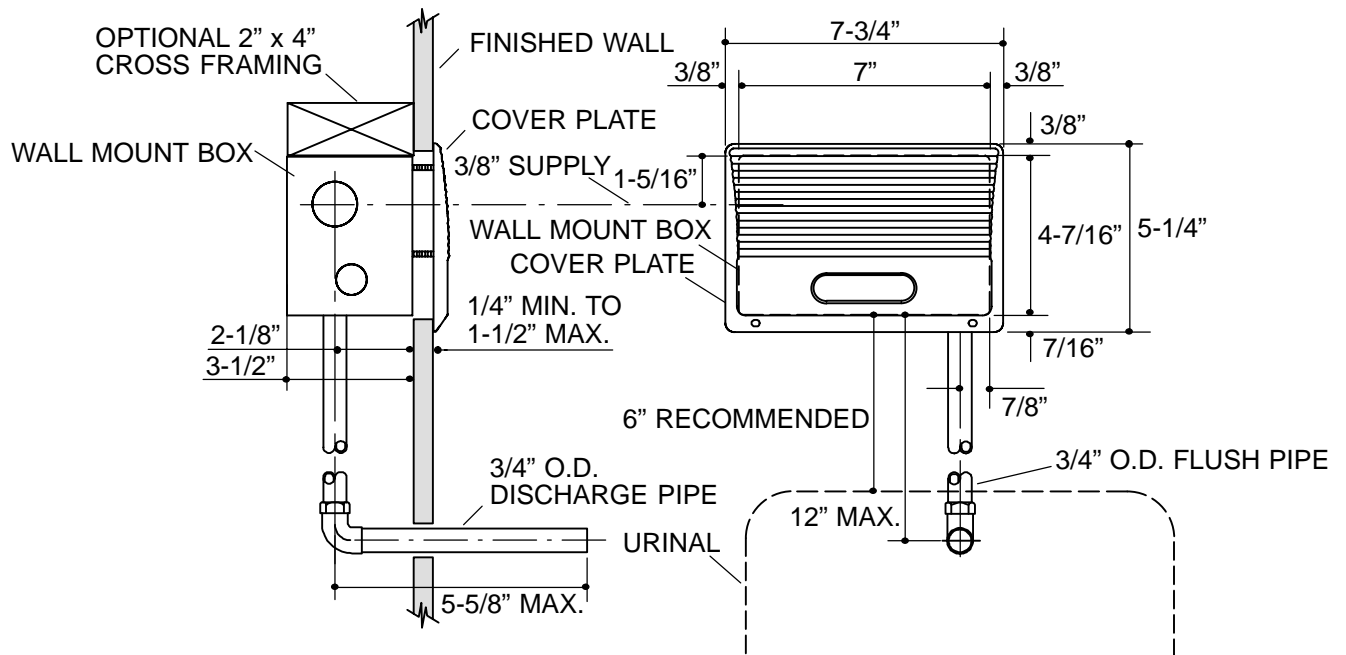


Ordering Information

Applicable product:	
Urinal flush valve	K-13680
ADA Touchless products are ADA compliant	



316

K-13680 Touchless™ Urinal Flush Valve
115255-1-AA (9619)

KOHLER®

NOTES: