

**URINAL FLUSH VALVE
K-13680**

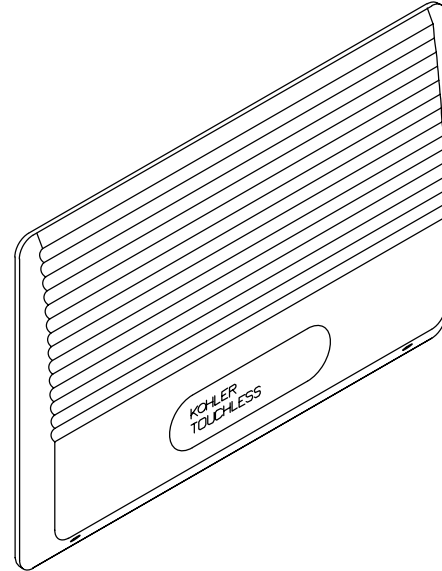
FEATURES

- Infrared sensor system
- Wall-mount design
- For washdown urinal installations
- 1 gallon flush flow rate

CODES/STANDARDS APPLICABLE

Specified model meets or exceeds the following:

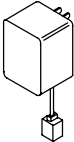
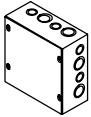
- ASME/ANSI A112.18.1M
- Underwriter's Laboratory (UL)



COLORS/FINISHES

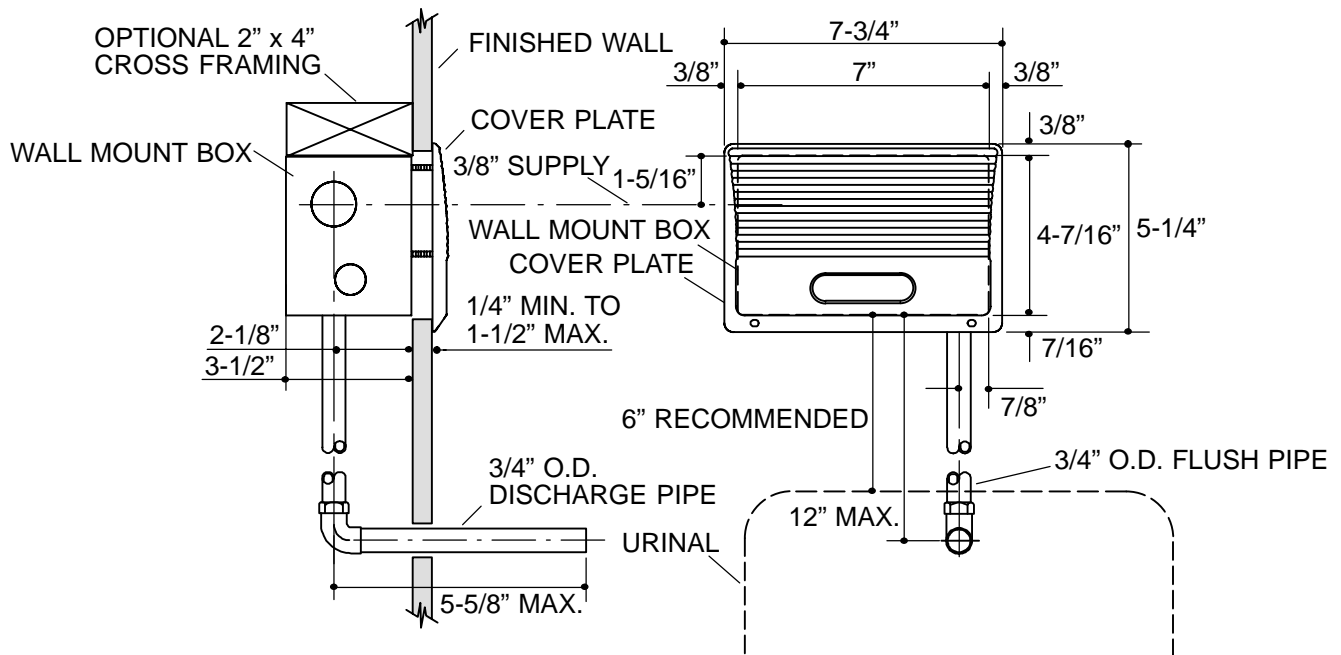
- G Brushed Chrome

SPECIFIED MODEL:

| Model | Description | |
|--|---------------------------------|---|
| K-13680 | Touchless Urinal Flush Valve | <input type="checkbox"/> G |
| Required Accessory | |  |
| K-13667 | Plug-In Power Supply | <input type="checkbox"/> NA |
| Optional Accessory | |  |
| K-13684 | Multiple Touchless Power Supply | <input type="checkbox"/> NA |
| In place of K-13667, K-13684 accommodates up to six electronic AC Kohler Touchless products. | | |

PRODUCT SPECIFICATION:

Wall-mount electronic urinal flush valve shall be of brass construction. Flush valve is intended for washdown urinal installations. Valve shall include electronic infrared sensor, and 5' power cord. Valve shall be Kohler Model K-13680-G and power supply shall be Kohler Model K-_____-NA.



316

PRODUCT DIAGRAM