

**URINAL FLUSH VALVE
K-13686**

FEATURES

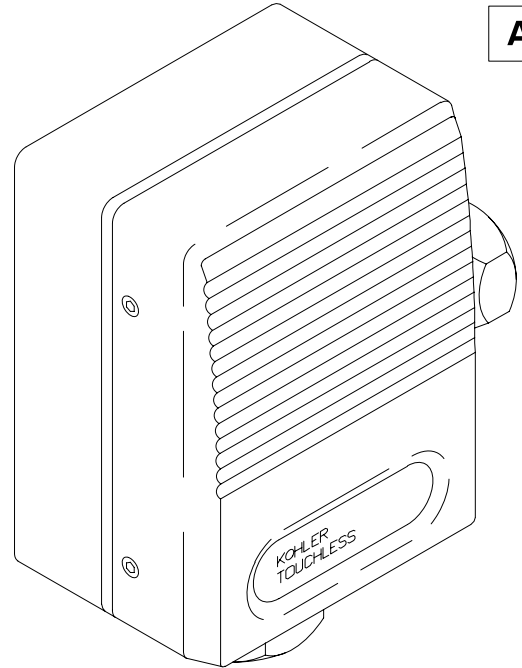
- *Infrared sensor system*
- *Fixture-mount design*
- *Intended for washdown urinal installations*
- *1 gallon flush flow rate*
- *Includes four alkaline C-cell batteries*

CODES/STANDARDS APPLICABLE

Specified model meets or exceeds the following:

- *ASSE 1037*
- *Underwriter's Laboratory (UL)*

ADA



COLORS/FINISHES

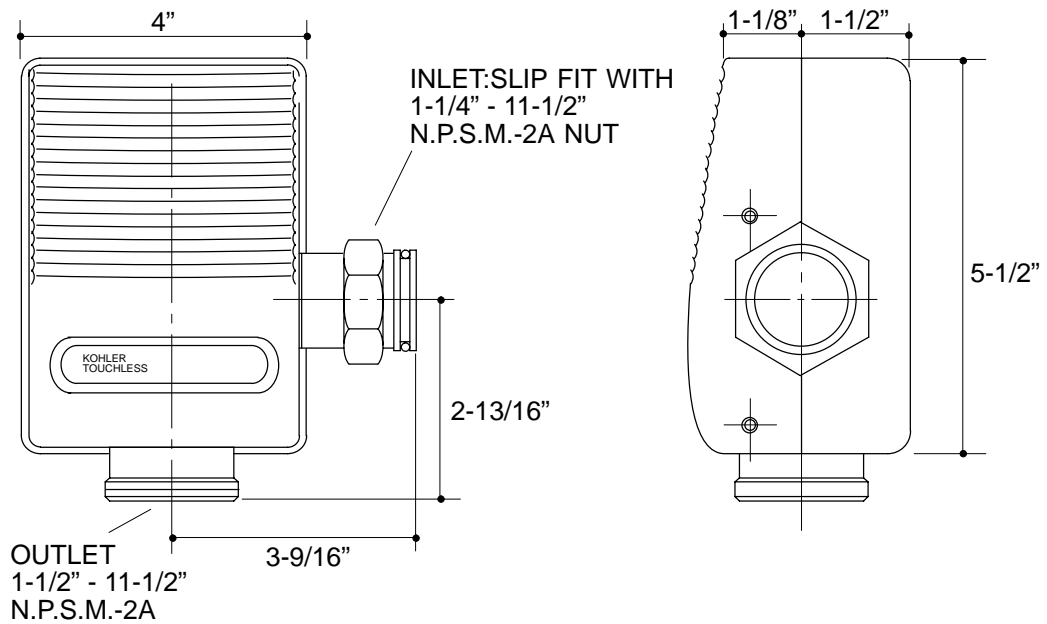
- G Brushed Chrome

SPECIFIED MODEL:

Model	Description	
K-13686	Touchless Urinal Flush Valve	<input type="checkbox"/> G

PRODUCT SPECIFICATION:

Battery-powered electronic urinal flush valve shall be of brass construction. Product is intended for washdown urinal installations and requires a check stop and vacuum breaker. Valve shall feature an electronic infrared sensor. Valve shall be of fixture-mount design, and includes four alkaline C-cell batteries. Faucet shall be Kohler Model K-13686-G.



PRODUCT DIAGRAM