

LAVATORY SUPPLY
K-13706

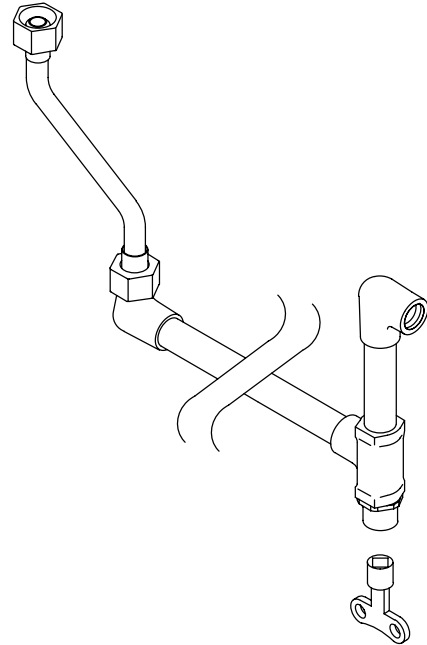
FEATURES

- Brass construction
- Compression valve
- Intended for right-drilled lavatory installations
- Delivers tempered water for fixture-mount knee control fittings
- Loose key volume regulator

CODES/STANDARDS APPLICABLE

Specified model meets or exceeds the following:

- ASME/ANSI A112.18.1M



COLORS/FINISHES

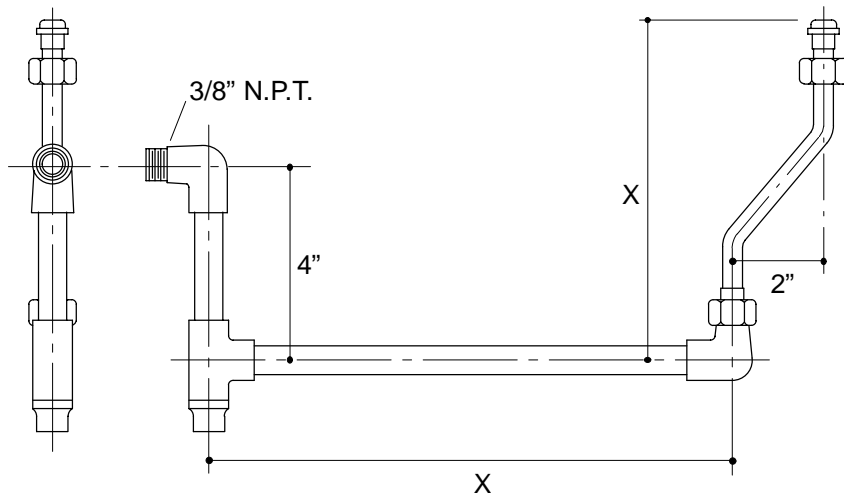
- CP Polished Chrome

SPECIFIED MODEL:

Model	For Fixture Similar To:	Size:	
K-13706-A	K-2030	20" x 18"	<input type="checkbox"/> CP
	K-12643	20" x 18"	
K-13706-B	K-2053	20" x 18"	<input type="checkbox"/> CP
K-13706-C	K-2038	24" x 20"	<input type="checkbox"/> CP
	K-12644	24" x 20"	

PRODUCT SPECIFICATION:

Lavatory supply shall be of brass construction. Supply is intended for right-drilled lavatory installations, and shall deliver tempered water for fixture-mount knee control fittings. Product shall include compression valve, loose key volume regulator, and N.P.T. connection. Product shall be Kohler Model K-13706-____-CP.



Roughing-In Notes
X = To suit fixture

PRODUCT DIAGRAM